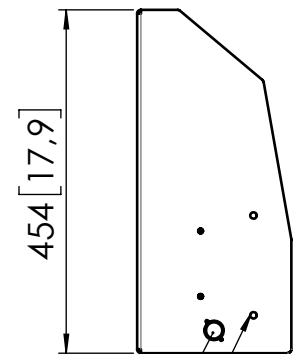
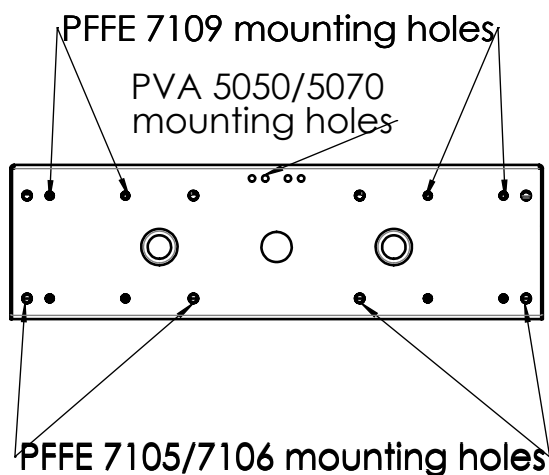
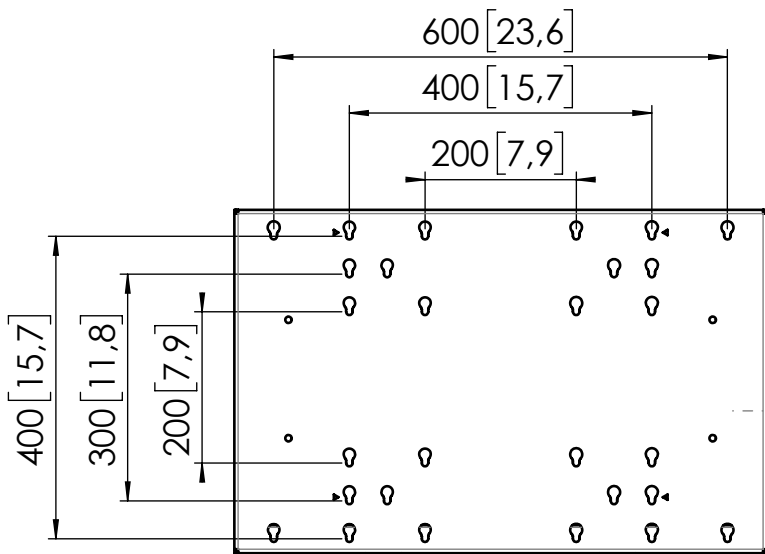
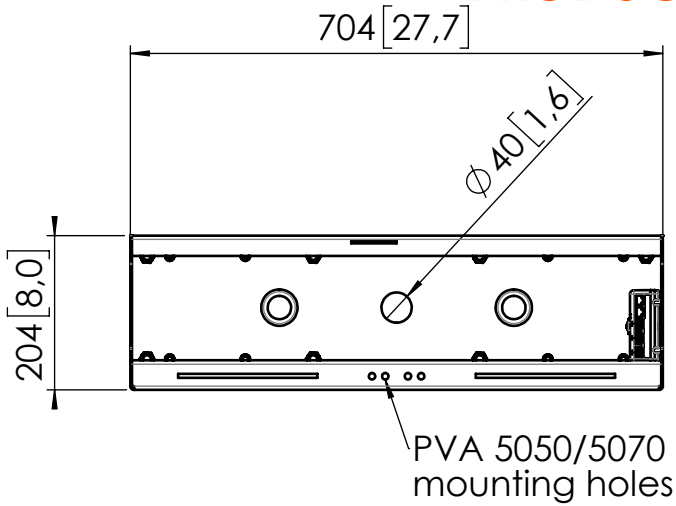


Product data sheet

PRODUCT DATA SHEET PFI 3061/3062

Dimensions in mm [inch]

PFI 3061 is compatible with PFFE 7105 / 7106
 PFI 3062 is compatible with PFFE 7109



Break out for
 neutrik connector

PFA 9124
 mounting holes