

W50810 Tilting TV Wall Mount

Article number (SKU) 8450810
 Colour Black

Key benefits

- Simply Smart Value: Great comfort for an affordable price
- Tilt (up to 15°) to avoid reflections
- Lock your TV securely in place

For large TVs up to 65 inch (165 cm)

The WALL 2315 TV wall mount is suitable for 40 to 65 inch (101 to 165 cm) TVs. It provides safe and secure mounting for TVs up to 40 kg (88 lbs).

Squeezed for space? Mount your TV higher up on the wall

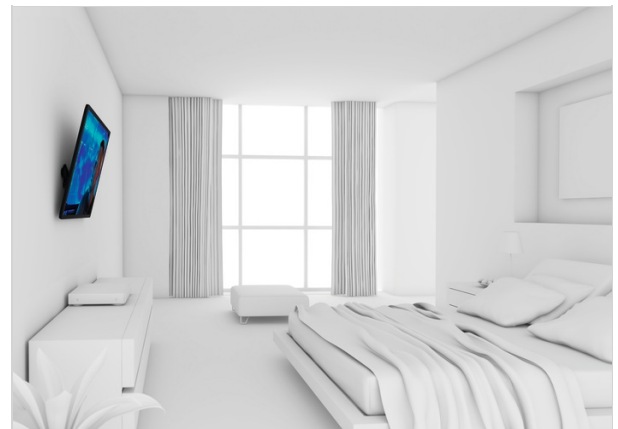
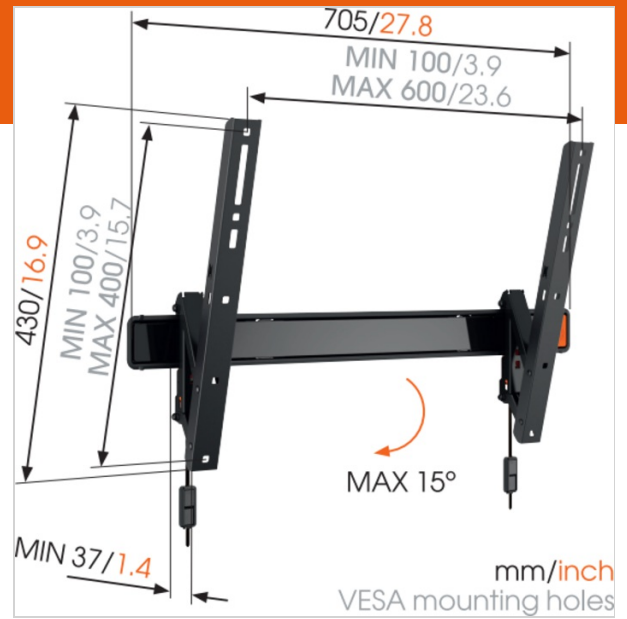
Putting a TV higher on the wall with the WALL 2315 TV wall mount is a great way to save space, reduce reflections and keep your TV safely out of reach of pets or children. Simply tilt your TV forward to watch it in comfort from where you are lounging or sitting.

The WALL series: simply smart value

Mounting your TV on the wall saves space, making even the smallest of rooms feel bigger. The modern and trendy Vogel's WALL series is the ideal choice when you are looking for an affordable TV wall mount with a quality build and clean finish. It's simply smart value.

Need to tuck your TV away even further?

Mount it in a corner to save even more space. Check out our full-motion TV wall brackets, perfect for any corner of the room.



W50810 Tilting TV Wall Mount



VOGEL'S HOLDING BV 2017 (c) All rights reserved
 Subject to printing errors, technical and price
 amendments
 Date: 15-05-2017

www.vogels.com

Specifications

Product specifications

Product type number	W50810
Article number (SKU)	8450810
Colour	Black
EAN single box	8712285330162
Product size	L
TÜV certified	Yes
Tilt	Tilt up to 15°
Guarantee	Lifetime
Min. screen size (inch)	40
Max. screen size (inch)	65
Max. weight load (kg)	40
Min. hole pattern	100mm x 100mm
Max. hole pattern	600mm x 400mm
Max. bolt size	M8
Max. height of interface (mm)	430
Max. width of interface (mm)	705

Features

Functionality Tilt

Technical specifications and dimensions

Min. distance to the wall (mm) 37

