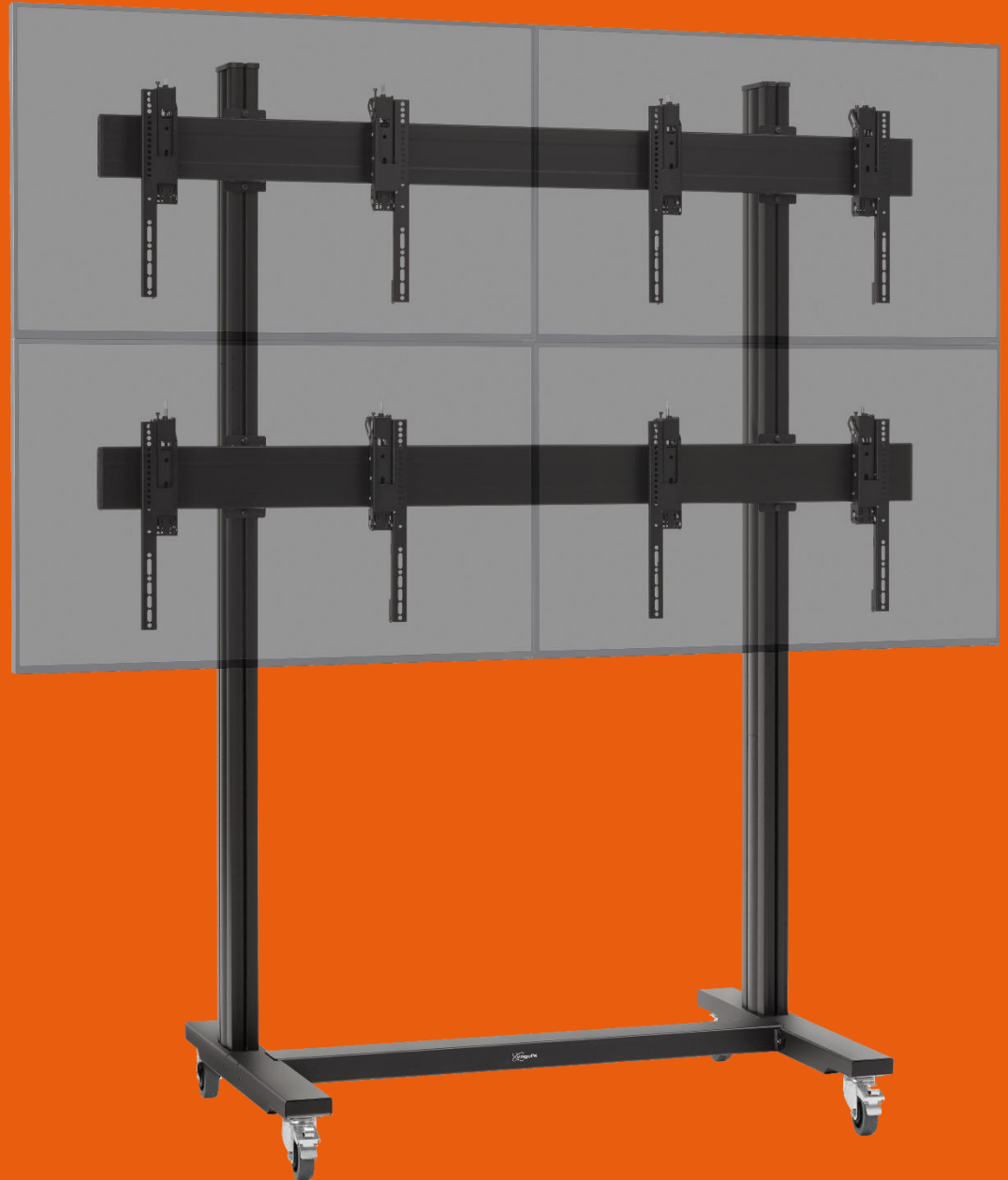




Connect-it Universal video wall solutions

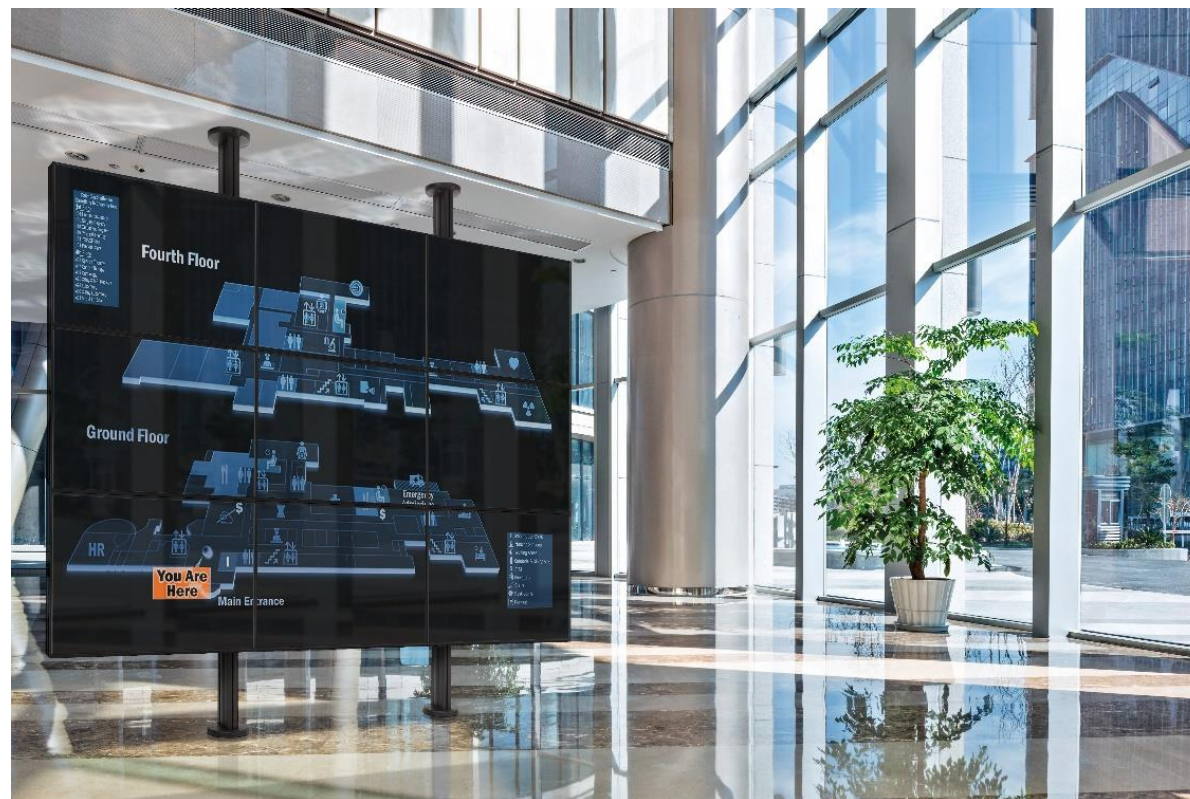




Introduction

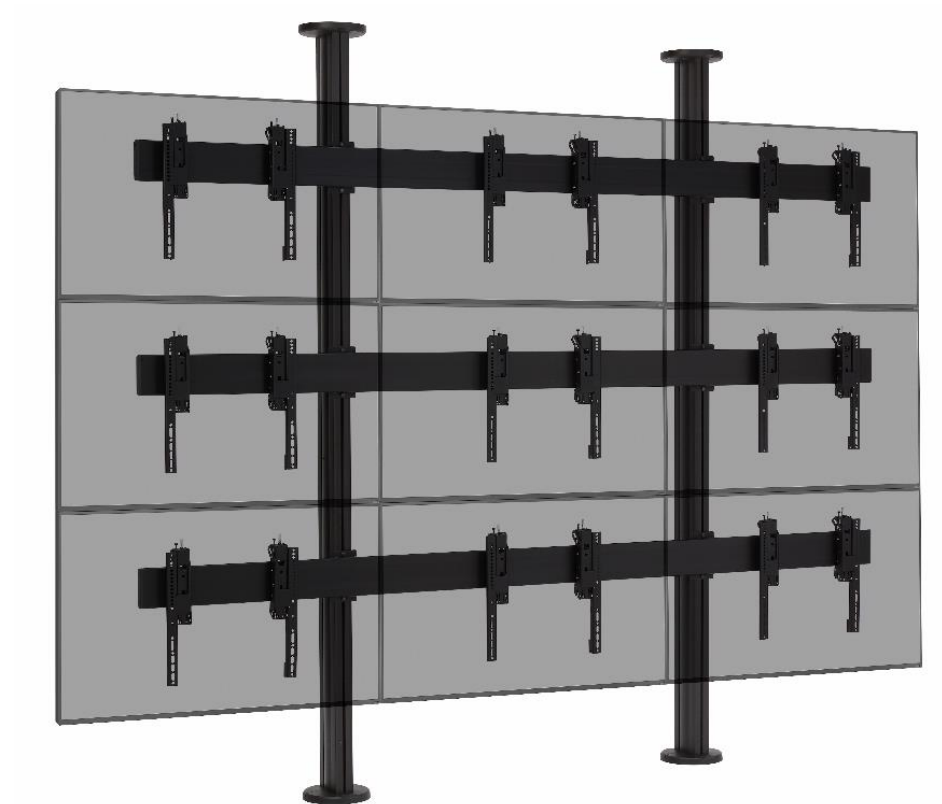
The Universal video wall solutions are consist of modular components.

We strongly belief in offering solutions instead of products in the professional market. With a limited number of components, almost unlimited solutions can be created.



Key features of the Connect-it universal video wall solutions:

- Modular video wall mounting system
- Solid and strong construction
- TÜV certified
- Reconfigurable (for temporary installation)
- Quick and easy installation



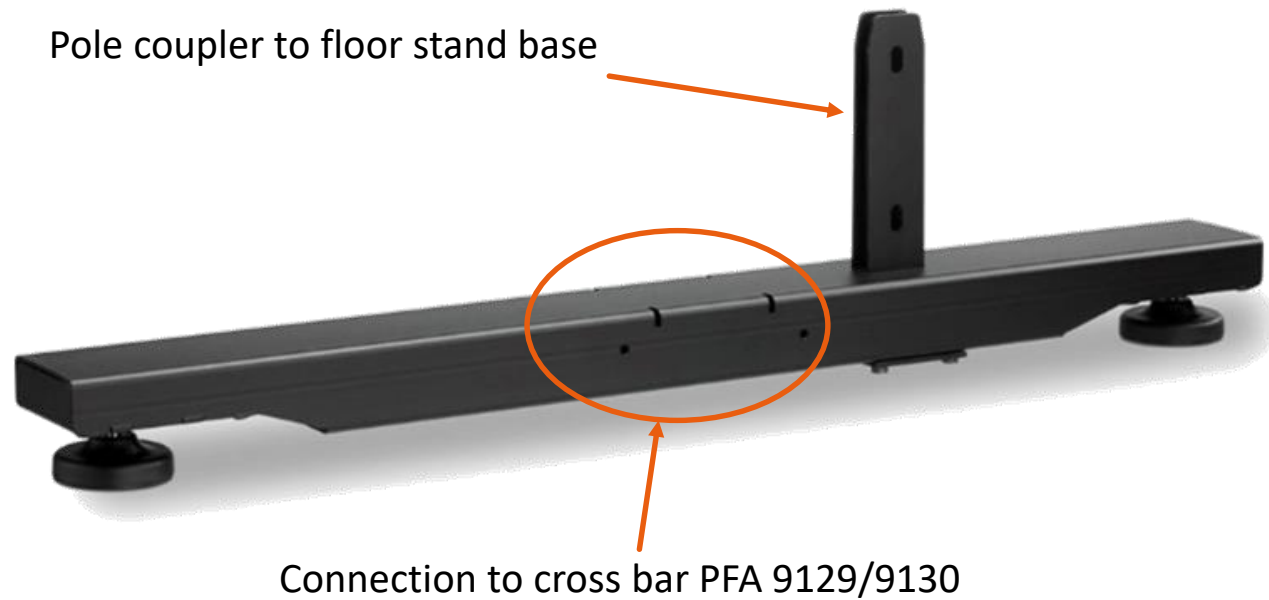


Overview SKU's

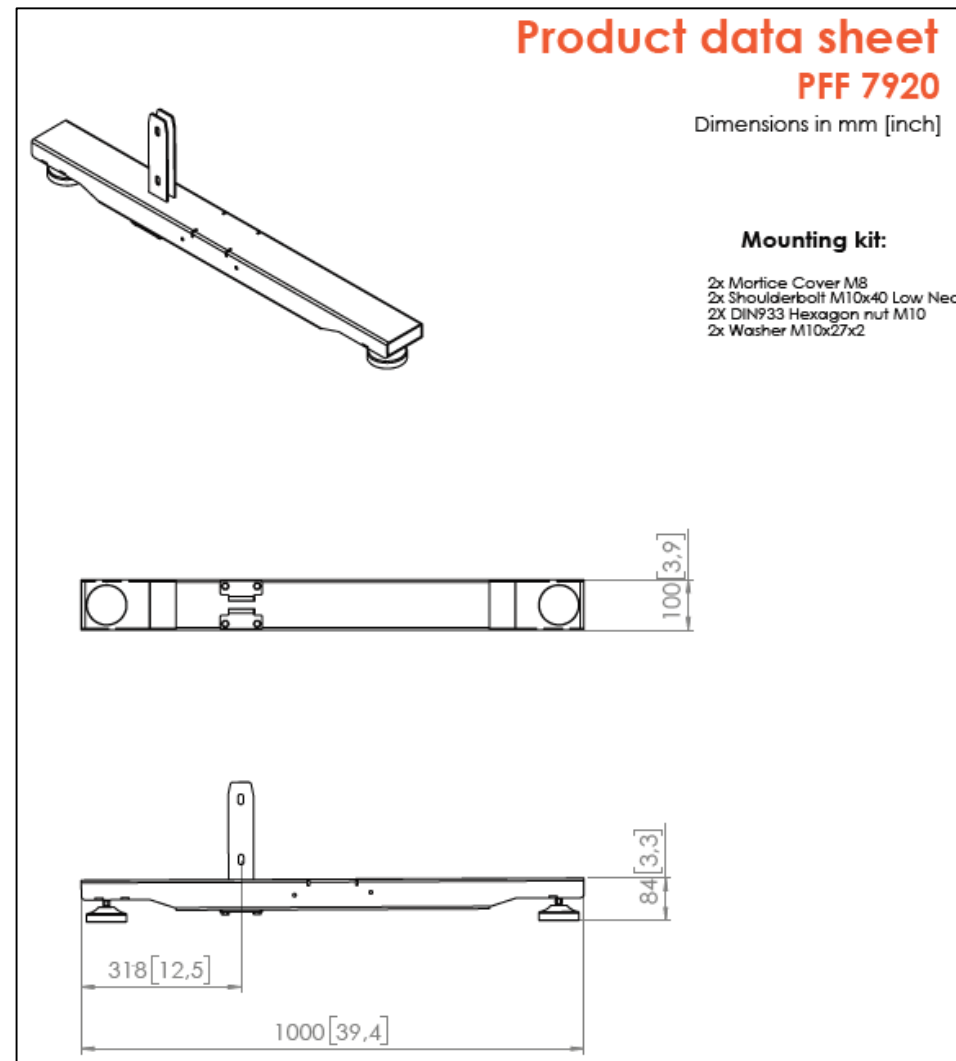
code	Product name
PFF 7920	PFF 7920 Video wall floor stand base
PFT 8920	PFT 8920 Video wall trolley base
PFA 9129	PFA 9129 Video wall cross bar 1150 mm
PFA 9130	PFA 9130 Video wall cross bar 1500 mm
PFF 7960	PFF 7960 Floor mounting plate fixed
PUC 1910	PUC1910 Ceiling plate fixed
PUC 2920	PUC 2920 Pole 200 cm
PUC 2927	PUC 2927 Pole 270 cm
PUC 2933	PUC 2933 Pole 330 cm
PFA 9131	PFA 9131 Pole Coupler for PUC 29xx
PFA 9132	PFA 9132 Floor / Ceiling support
PFA 9133	PFF 9133 Wall support sliding bracket

PFF 7920 Video wall floor stand base

By using 2 or more video wall floor stand bases you can create your own dedicated video wall floor stand.



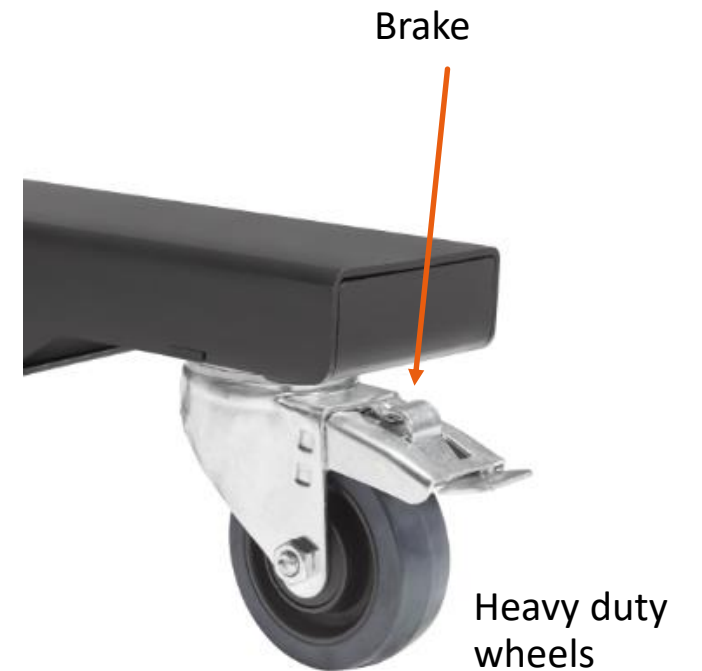
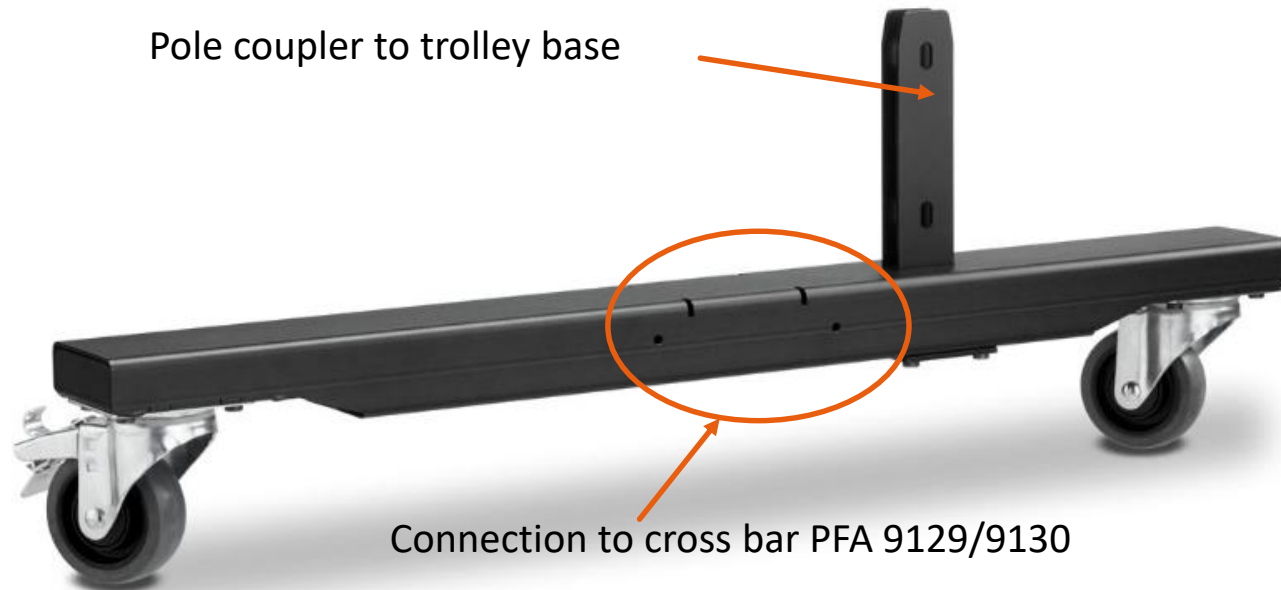
PFF 7920: Product data sheet



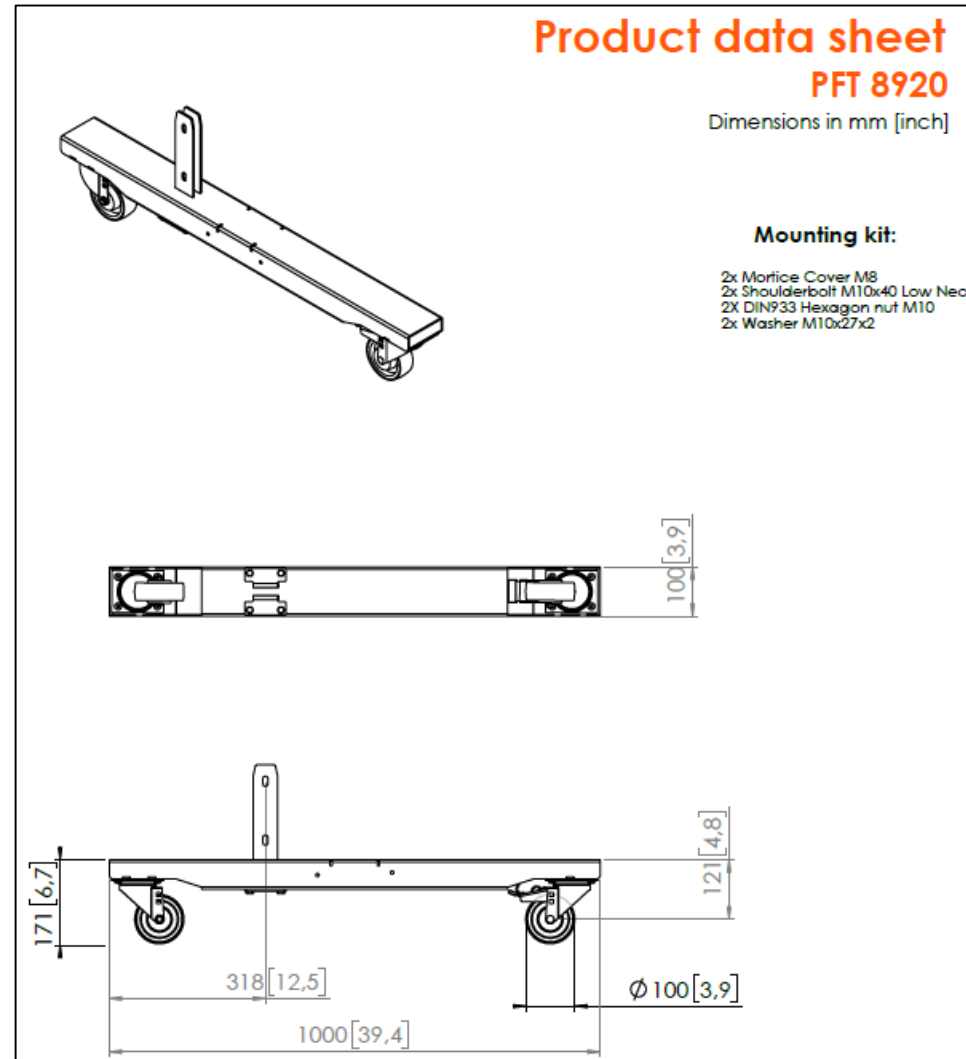


PFT 8920 Video wall trolley base

By using 2 or more video wall trolley bases you can create your own dedicated video wall trolley.



PFT 8920: Product data sheet



PFA 9129/PFA 9130 Video wall cross bar

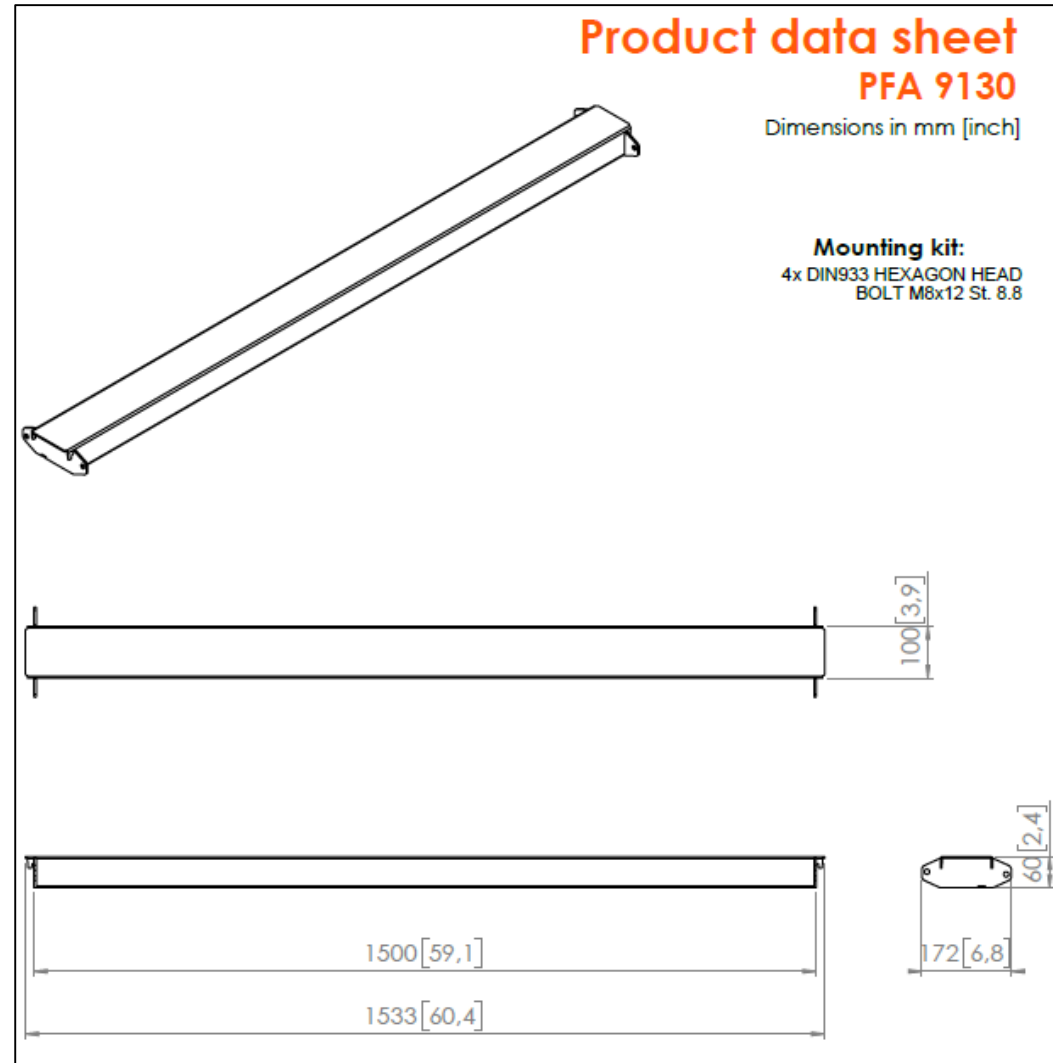
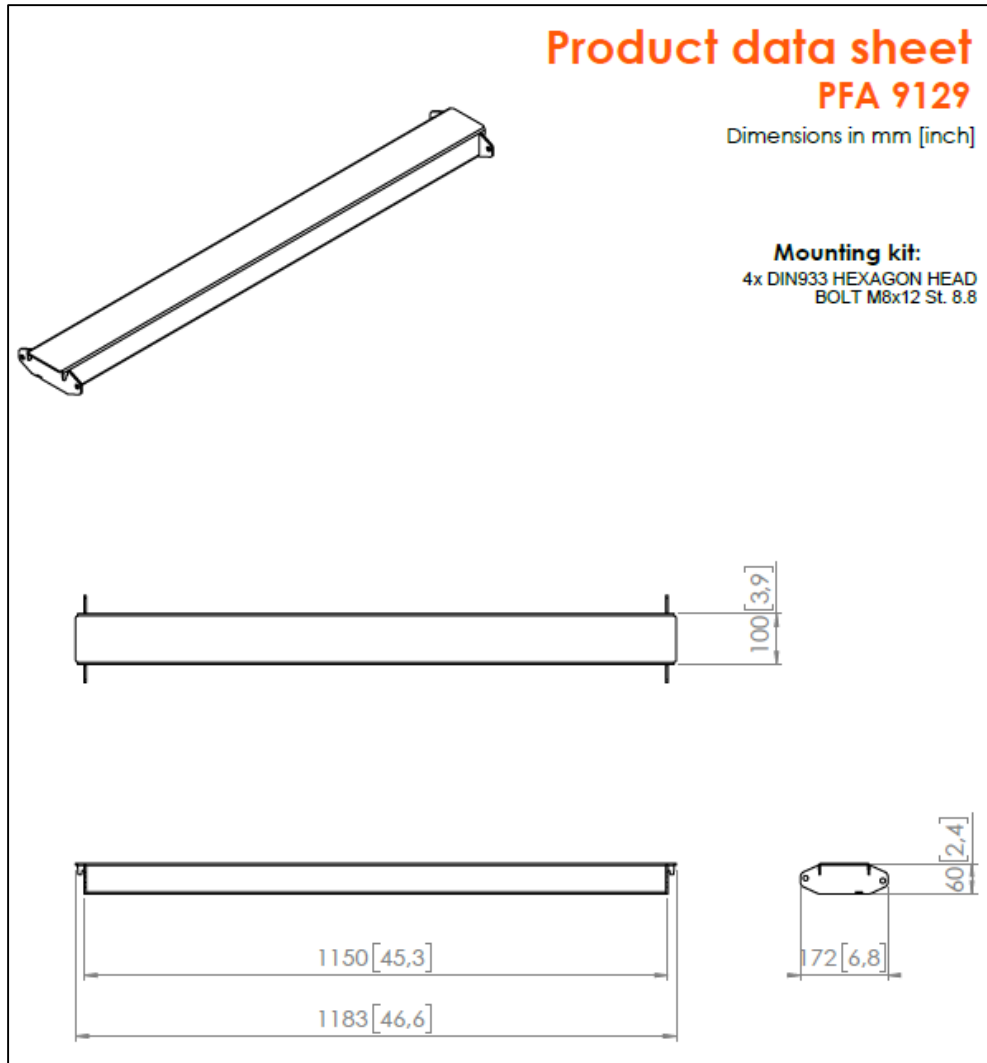
With the video wall cross bar you connect the PFT 8920 or the PFF 7920.



PFA 9130: 1500 mm

PFA 9129: 1150 mm

PFA 9129/PFA 9130: Product data sheets





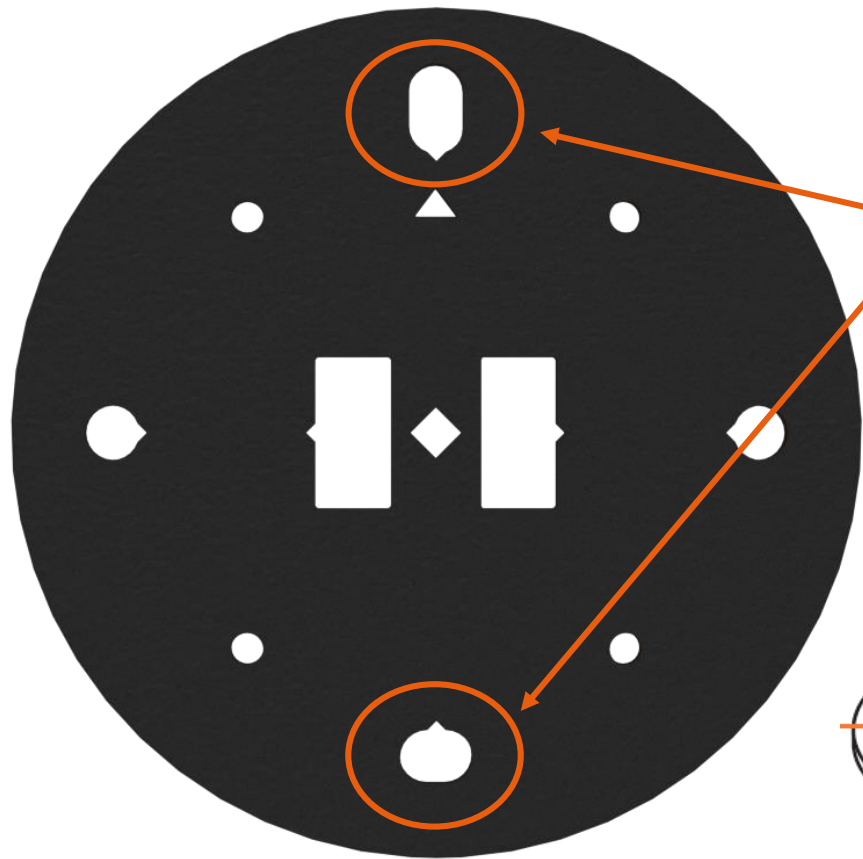
PFF 7960 Floor mounting plate fixed

Thanks to the modularity you can create your own permanent video wall floor solution.

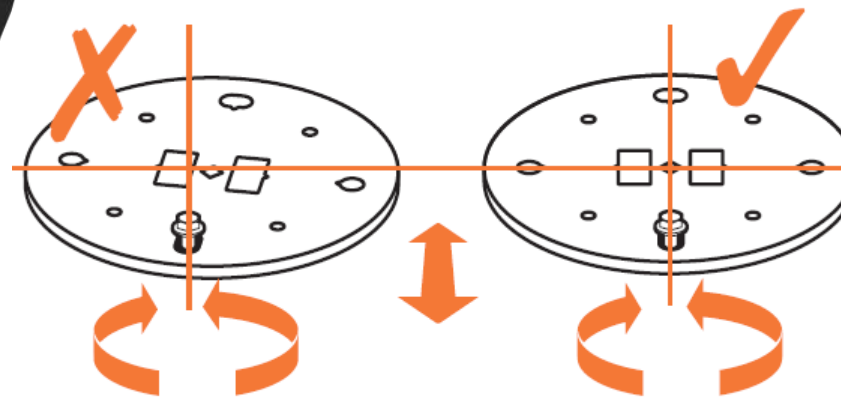


NOTE: Anchors are not included, type of anchor needs to be determined on site. For selecting the right anchors, please contact your local specialist. For example: Fischer at: <https://www.fischer-international.com/en>

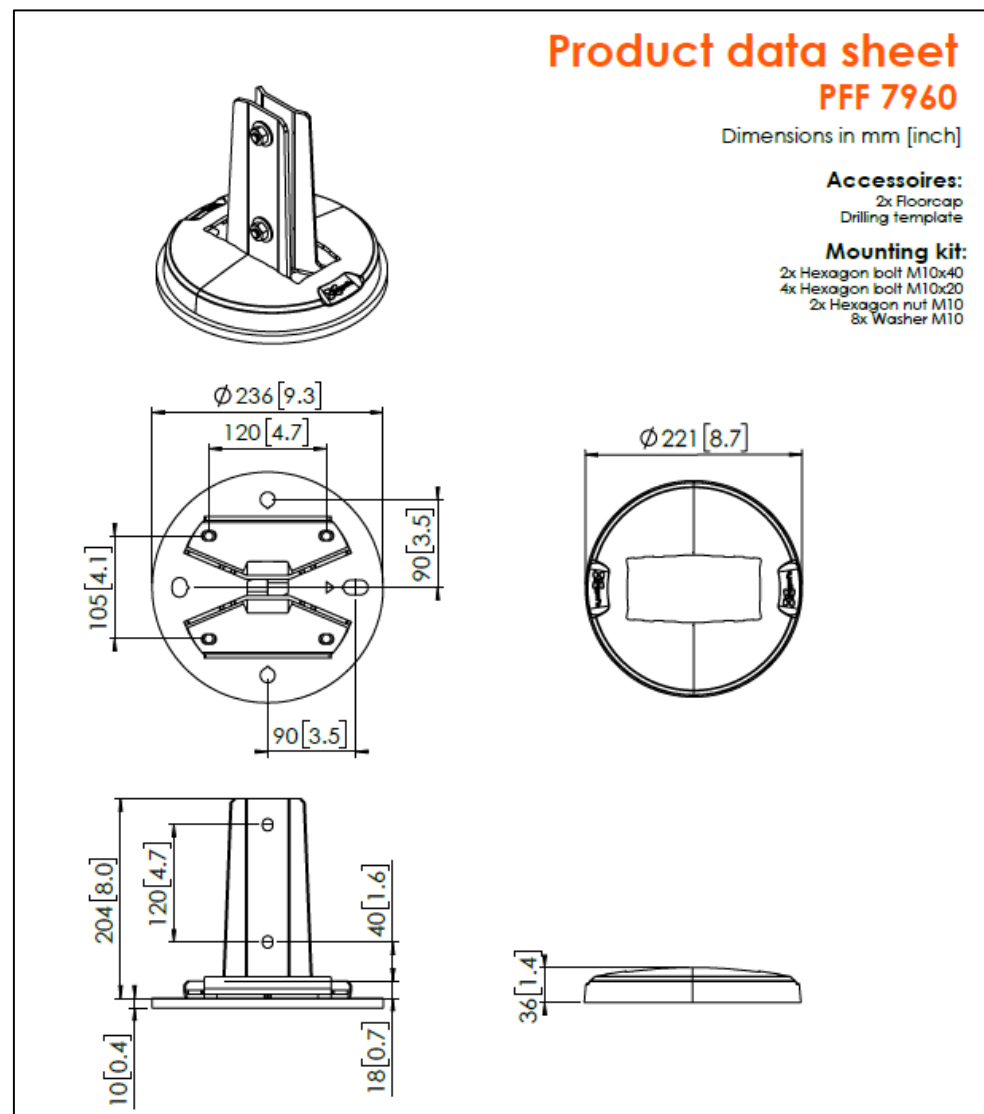
PFF 7960 Floor mounting plate fixed



Slotted holes for alignment



PFF 7960: Product data sheets



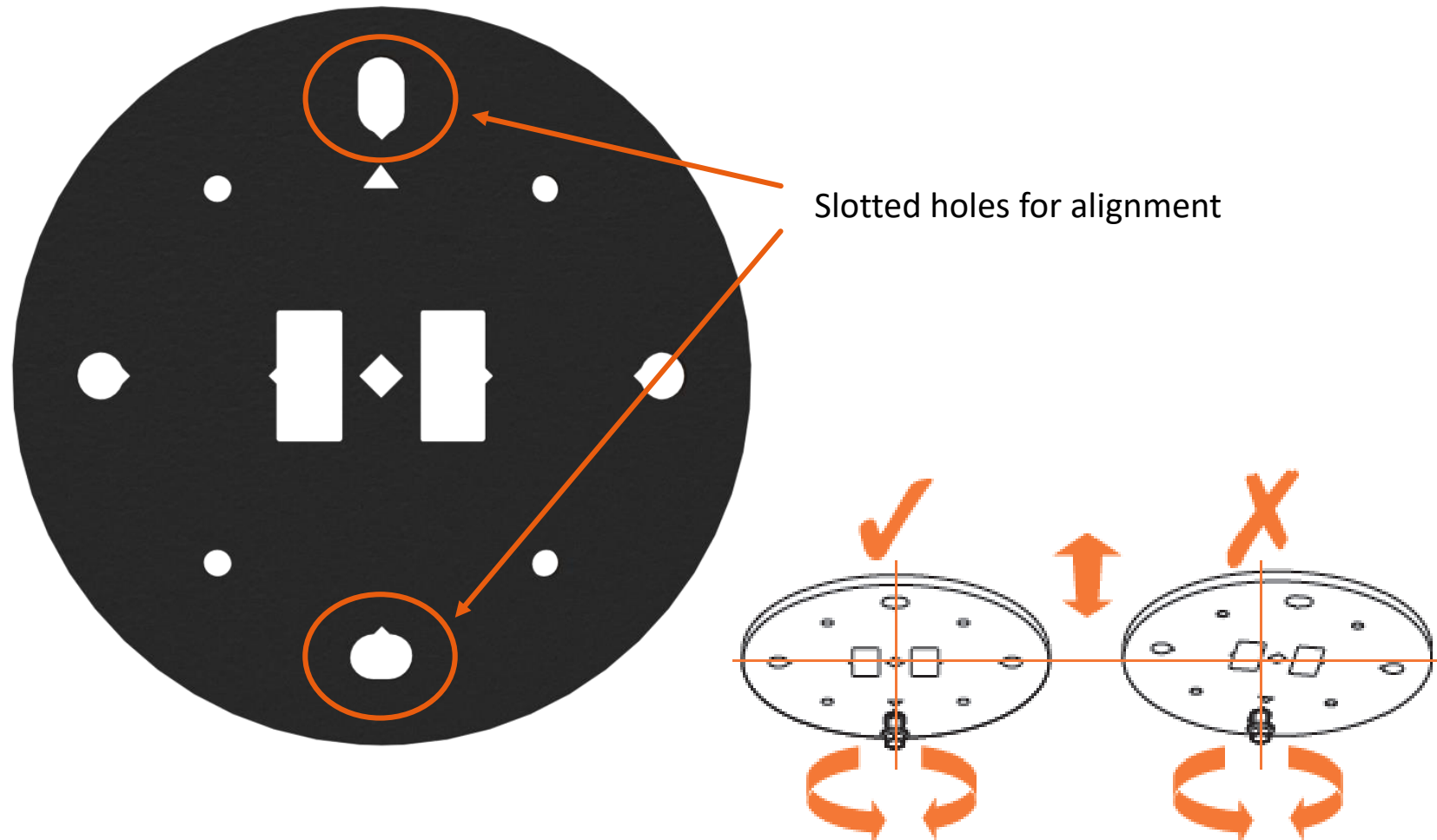
PUC 1910 Ceiling plate fixed

Thanks to the modularity you can create your own video wall ceiling solution.

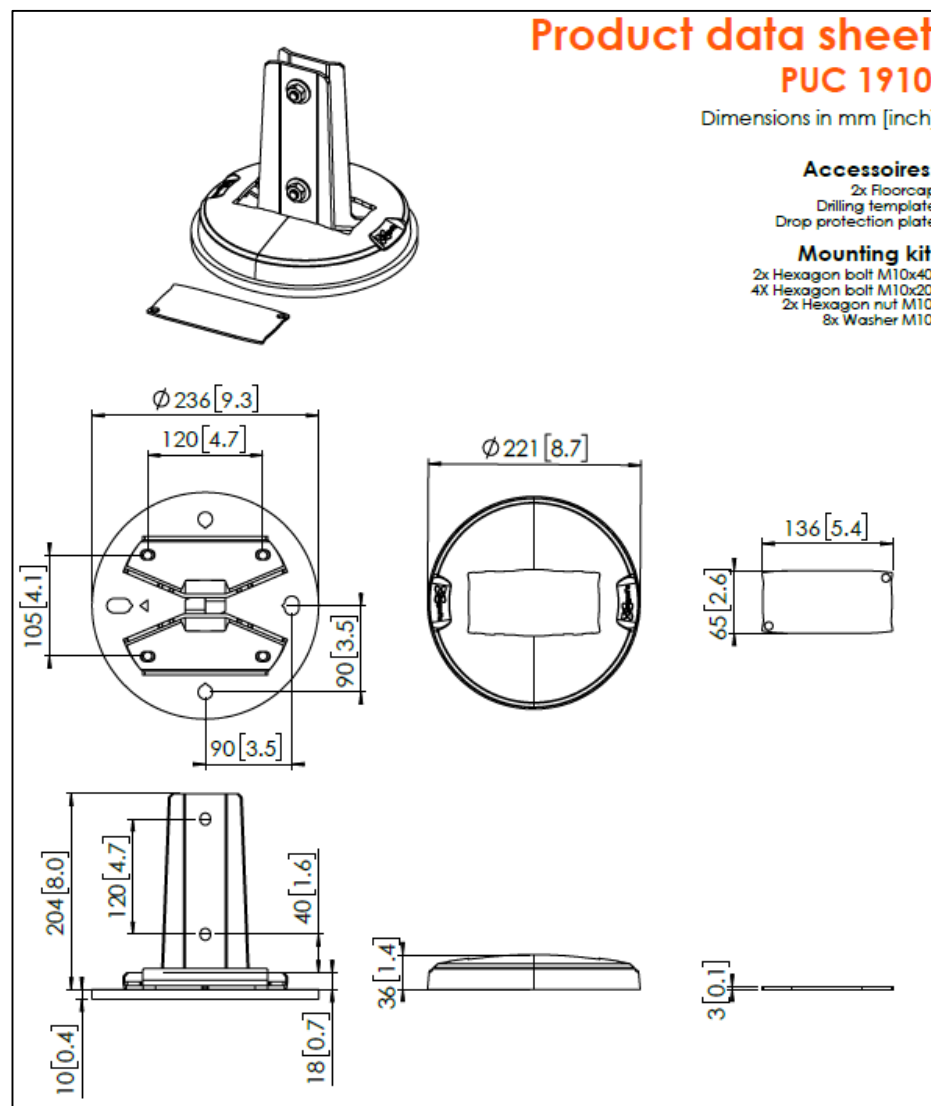


NOTE: Anchors are not included, type of anchor needs to be determined on site. For selecting the right anchors, please contact your local specialist. For example: Fischer at: <https://www.fischer-international.com/en>

PFF 7960 Floor mounting plate fixed



PUC 1910: Product data sheets



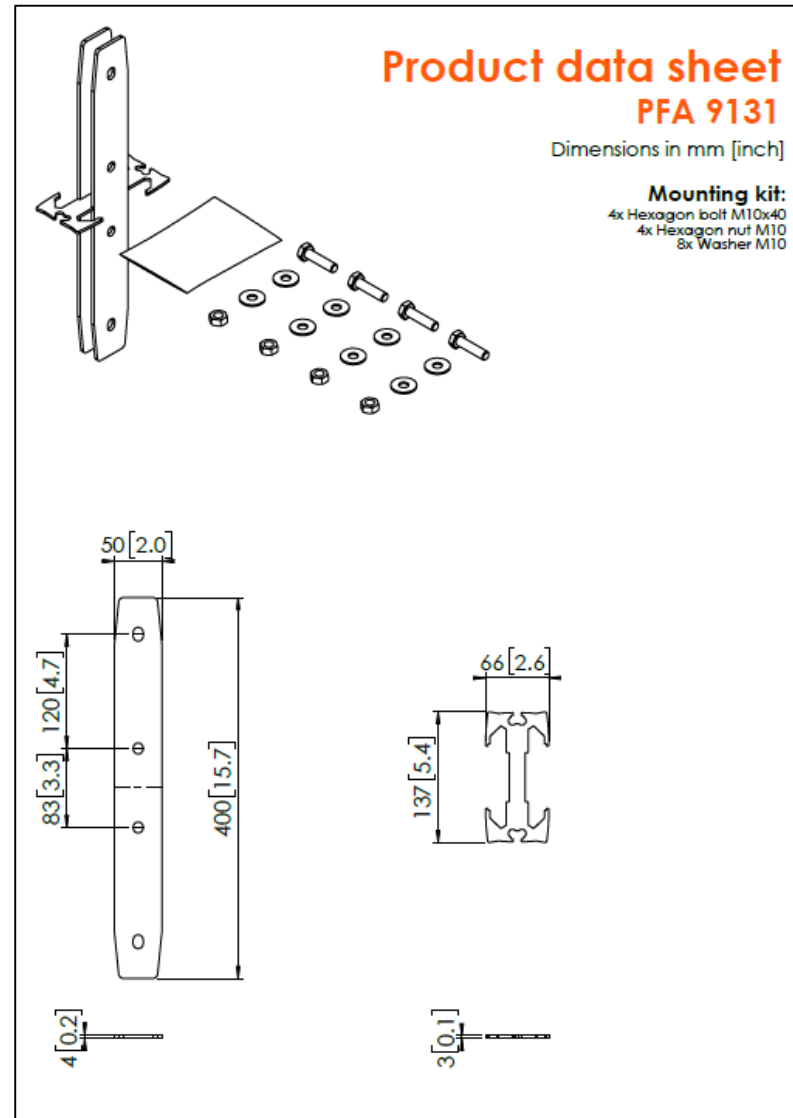


PFA 9131 Pole coupler for PUC 29xx

With the pole coupler you can couple two PUC 29XX poles.



PFA 9131: Product data sheets



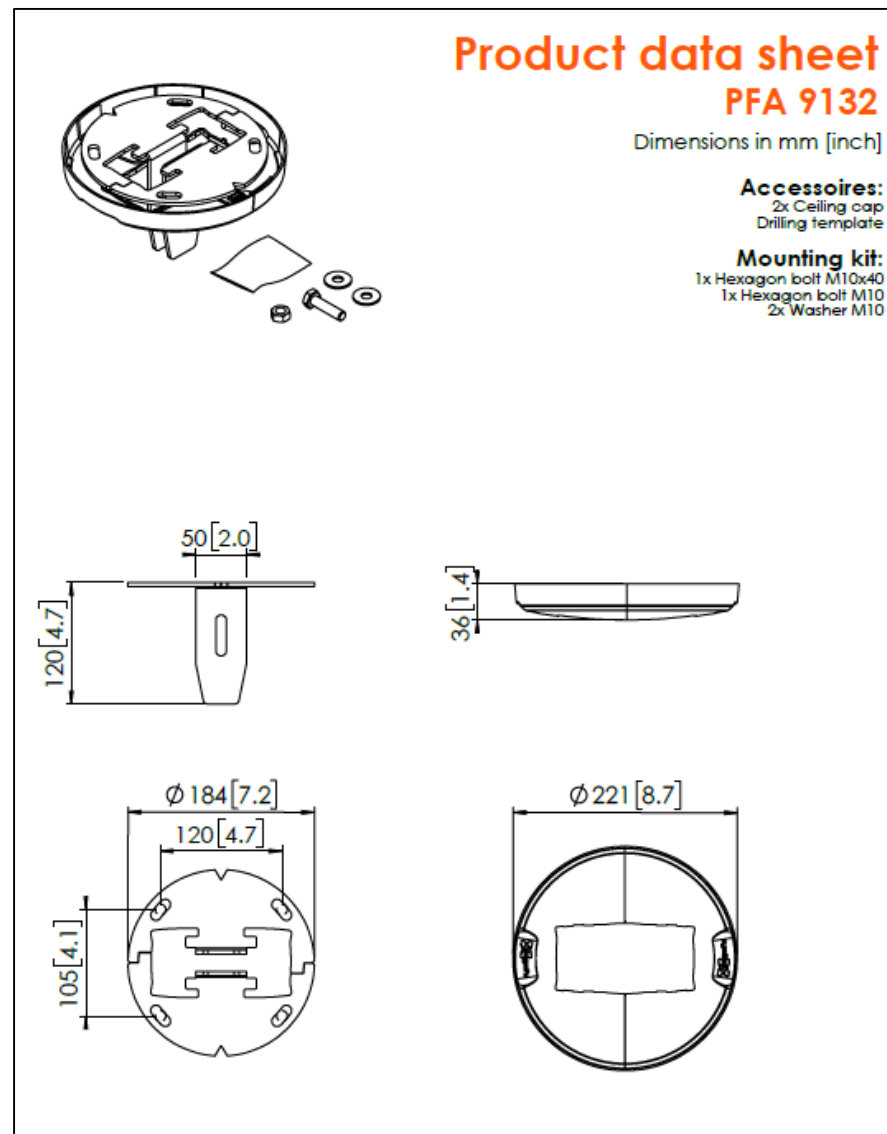


PFA 9132 Floor / Ceiling support

The PFA 9132 is a part of the universal video wall Connect-it system. Use it in combination with the universal video wall floor or ceiling plate to create your own floor to ceiling video wall solution.



PFA 9132: Product data sheets



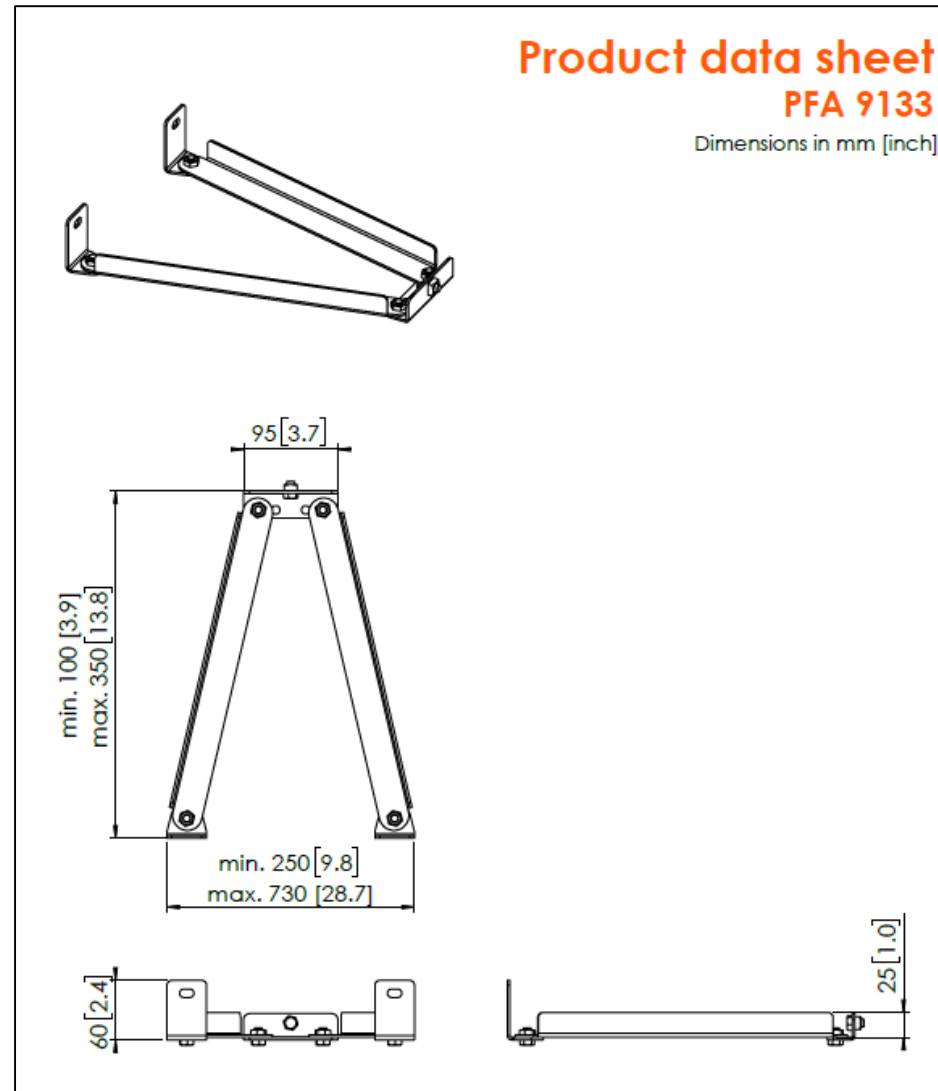


PFA 9133 Wall support sliding bracket

The PFA 9133 is especially designed for video wall solutions when extra support is desired.



PFA 9133: Product data sheets



Pole: PUC 2920/PUC 2927/PUC 2933

The PUC 29xx Series is especially designed for video wall purposes.

The poles are available in lengths of: 2000 mm, 2700 mm and 3300 mm. The poles feature cable management (CIS®) and can be combined with all Connect-it accessories. The PUC 29xx Series can only be used in combination with universal video wall Connect-it components.

- 3 different lengths: 2000 mm
 2700 mm
 3300 mm
- Colour: Black





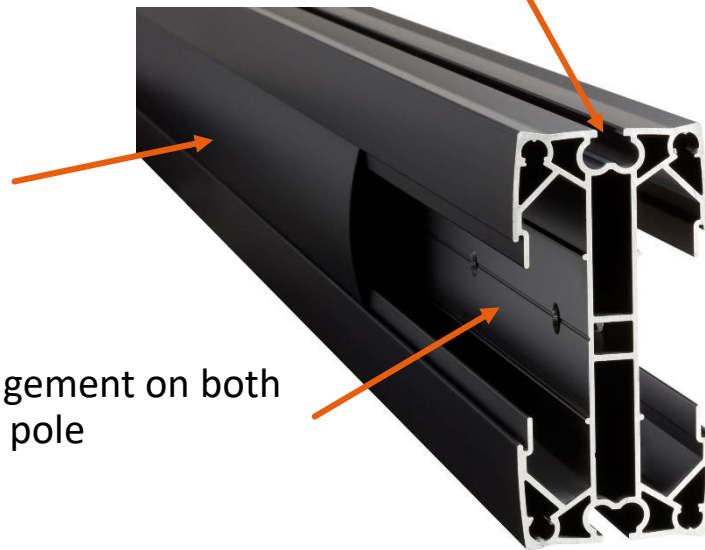
Pole: PUC 2920/PUC 2927/PUC 2933

Nut channel: M8

To connect display interface bar (PFB 34 xx)
and accessories

Cable management
cover

Cable management on both
sides of the pole

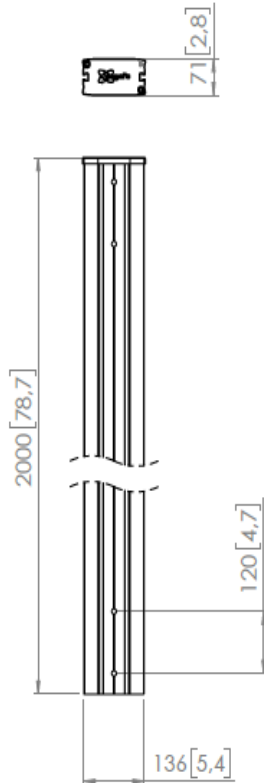


Product data sheet PUC 2920

Dimensions in mm [inch]

Accessories:

3x CABLE CLICK PUC29XX
3x CIS COVER PUC

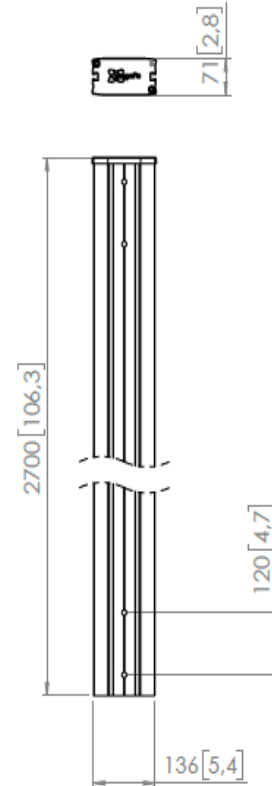


Product data sheet PUC 2927

Dimensions in mm [inch]

Accessories:

3x CABLE CLICK PUC29XX
4x CIS COVER PUC

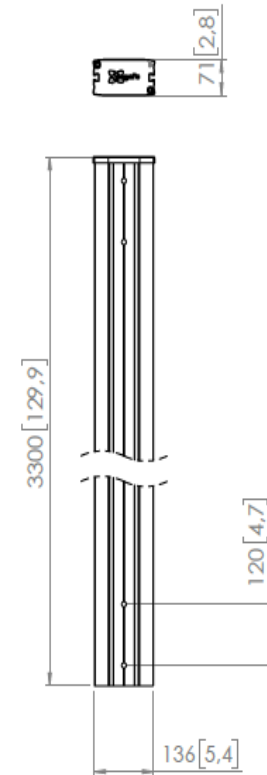


Product data sheet PUC 2933

Dimensions in mm [inch]

Accessories:

3x CABLE CLICK PUC29XX
5x CIS COVER PUC



How to set up a Floor stand 2 X 2 configuration

PFF 7920



+

PFA 9129



=

PFF 7920



How to set up a Floor stand 2x2 configuration

2 x PUC 2920



+

2 x PFB 3419



=

4 x PFS 3504



How to set up a Floor to Ceiling 3x3 configuration

2x PFF 7960



+

2x PUC 2933*

* Ceiling height 3,3m



=



+

2x PFA 9132



How to set up a Floor to Ceiling 3x3 configuration



3 x PFB 3433

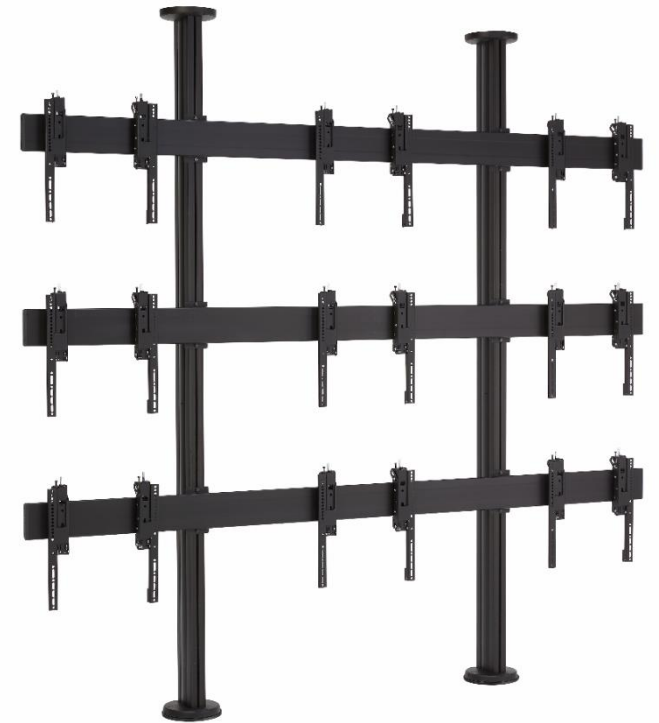


+

9 x PFS 3504



=



Weight specifications: Explanation

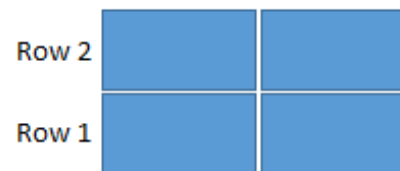
Below you can find the explanation how to read the weight limits per configuration

Maximum load per display for displays from 55- 65 inch

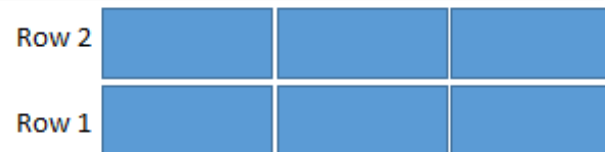
Max load is valid in combination with a certain pole length

Maximum load per display 55- 65" Display, Pole Height: 2000 mm				
Stand configuration	1 Display 2 Poles, Crossbar 1150 mm	2 Displays 2 Poles, Crossbar 1150 mm	3 Displays 2 Poles, Crossbar 1500 mm	4 Displays 3 Poles, Crossbar 1500 mm
1 Row	160 Kg	160 Kg	155 Kg	160 Kg
2 Rows	160 Kg	113 Kg	72 Kg	129 Kg
3 Rows	155 Kg	72 Kg	45 Kg	82 Kg
4 Rows	N/A	N/A	N/A	N/A
Trolley configuration				
1 Row	160 Kg	160 Kg	155 Kg	160 Kg
2 Rows	160 Kg	113 Kg	72 Kg	129 Kg
3 Rows	155 Kg	72 Kg	45 Kg	82 Kg
4 Rows	N/A	N/A	N/A	N/A

This means 2 displays per row and in total 2 rows, in total 4 displays. max load per display is 113kg, total weight is 452kg



This means 3 displays per row and in total 2 rows, in total 6 displays. max load per display is 72kg, total weight is 432kg



Weight specifications: Explanation

Below you can find the explanation how to read the weight limits per configuration

Maximum load per display 55- 65" Display, Pole Height: 2700 mm					
	1 Display <i>2 Poles, Crossbar 1150 mm</i>	2 Displays <i>2 Poles, Crossbar 1150 mm</i>	3 Displays <i>2 Poles, Crossbar 1500 mm</i>	4 Displays <i>3 Poles, Crossbar 1500 mm</i>	
Stand configuration					
1 Row	160 Kg	77 Kg	48 Kg	60 Kg	
2 Rows	160 Kg	101 Kg	64 Kg	79 Kg	
3 Rows	155 Kg	72 Kg	45 Kg	82 Kg	
4 Rows	113 Kg	51 Kg	31 Kg	59 Kg	
Trolley configuration					
1 Row	59 Kg	24 Kg	13 Kg	20 Kg	
2 Rows	71 Kg	30 Kg	17 Kg	22 Kg	
3 Rows	152 Kg	71 Kg	44 Kg	51 Kg	
4 Rows	113 Kg	51 Kg	31 Kg	36 Kg	

Length of Crossbar

This means 2 displays per row and in total 4 rows, in total 8 displays. max load per display is 51kg, total weight is 408kg

Row 4		
Row 3		
Row 2		
Row 1		



Weight specifications only for Stands and Trolleys

Specifications below are for a floor stand and trolley in combination with a **2000 mm pole**

Maximum load per display 46" Display, Pole Height: 2000 mm				
	1 Display <i>2 Poles, Crossbar 1150 mm</i>	2 Displays <i>2 Poles, Crossbar 1150 mm</i>	3 Displays <i>2 Poles, Crossbar 1500 mm</i>	4 Displays <i>3 Poles, Crossbar 1500 mm</i>
Stand configuration				
1 Row	160 Kg	160 Kg	135 Kg	160 Kg
2 Rows	160 Kg	113 Kg	72 Kg	129 Kg
3 Rows	155 Kg	72 Kg	45 Kg	82 Kg
4 Rows	N/A	N/A	N/A	N/A
Trolley configuration				
1 Row	160 Kg	160 Kg	135 Kg	160 Kg
2 Rows	160 Kg	113 Kg	72 Kg	129 Kg
3 Rows	155 Kg	72 Kg	45 Kg	82 Kg
4 Rows	N/A	N/A	N/A	N/A

Maximum load per display 55- 65" Display, Pole Height: 2000 mm				
	1 Display <i>2 Poles, Crossbar 1150 mm</i>	2 Displays <i>2 Poles, Crossbar 1150 mm</i>	3 Displays <i>2 Poles, Crossbar 1500 mm</i>	4 Displays <i>3 Poles, Crossbar 1500 mm</i>
Stand configuration				
1 Row	160 Kg	160 Kg	155 Kg	160 Kg
2 Rows	160 Kg	113 Kg	72 Kg	129 Kg
3 Rows	155 Kg	72 Kg	45 Kg	82 Kg
4 Rows	N/A	N/A	N/A	N/A
Trolley configuration				
1 Row	160 Kg	160 Kg	155 Kg	160 Kg
2 Rows	160 Kg	113 Kg	72 Kg	129 Kg
3 Rows	155 Kg	72 Kg	45 Kg	82 Kg
4 Rows	N/A	N/A	N/A	N/A



Weight specifications only for Stands and Trolleys

Specifications below are for a floor stand and trolley in combination with a **2700 mm pole**

Maximum load per display 46" Display, Pole Height: 2700 mm				
	1 Display 2 Poles, Crossbar 1150 mm	2 Displays 2 Poles, Crossbar 1150 mm	3 Displays 2 Poles, Crossbar 1500 mm	4 Displays 3 Poles, Crossbar 1500 mm
Stand configuration				
1 Row	155 Kg	72 Kg	45 Kg	55 Kg
2 Rows	155 Kg	72 Kg	45 Kg	55 Kg
3 Rows	155 Kg	72 Kg	45 Kg	55 Kg
4 Rows	113 Kg	51 Kg	31 Kg	55 Kg
Trolley configuration				
1 Row	55 Kg	25 Kg	X*	X*
2 Rows	60 Kg	25 Kg	X*	X*
3 Rows	82 Kg	35 Kg	20 Kg	27 Kg
4 Rows	113 Kg	50 Kg	30 Kg	36 Kg

Maximum load per display 55- 65" Display, Pole Height: 2700 mm				
	1 Display 2 Poles, Crossbar 1150 mm	2 Displays 2 Poles, Crossbar 1150 mm	3 Displays 2 Poles, Crossbar 1500 mm	4 Displays 3 Poles, Crossbar 1500 mm
Stand configuration				
1 Row	160 Kg	77 Kg	48 Kg	60 Kg
2 Rows	160 Kg	101 Kg	64 Kg	79 Kg
3 Rows	155 Kg	72 Kg	45 Kg	82 Kg
4 Rows	113 Kg	51 Kg	31 Kg	59 Kg
Trolley configuration				
1 Row	59 Kg	24 Kg	13 Kg	20 Kg
2 Rows	71 Kg	30 Kg	17 Kg	22 Kg
3 Rows	152 Kg	71 Kg	44 Kg	51 Kg
4 Rows	113 Kg	51 Kg	31 Kg	36 Kg

* Please contact Vogel's



Weight specifications only for Stands and Trolleys

Specifications below are for a floor stand and trolley in combination with a **3300 mm pole**

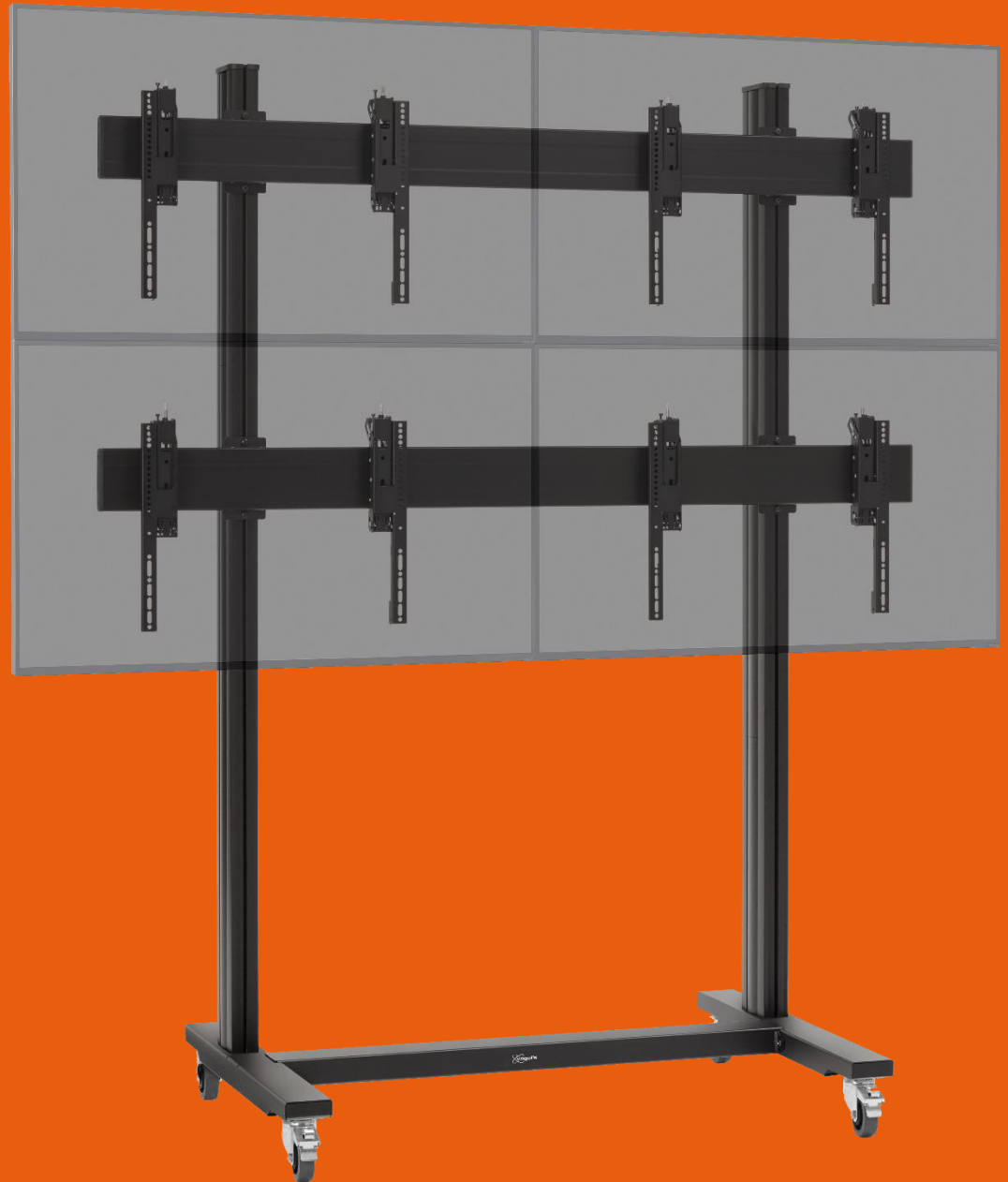
Maximum load per display 46" Display, Pole Height: 3300 mm				
	1 Display 2 Poles, Crossbar 1150 mm	2 Displays 2 Poles, Crossbar 1150 mm	3 Displays 2 Poles, Crossbar 1500 mm	4 Displays 3 Poles, Crossbar 1500 mm
Stand configuration				
1 Row	X*	X*	X*	X*
2 Rows	X*	X*	X*	X*
3 Rows	40 Kg	X*	X*	X*
4 Rows	67 Kg	51 Kg	31 Kg	59 Kg
Trolley configuration				
1 Row	X*	X*	X*	X*
2 Rows	X*	X*	X*	X*
3 Rows	X*	X*	X*	X*
4 Rows	X*	X*	X*	X*

Maximum load per display 55- 65" Display, Pole Height: 3300 mm				
	1 Display 2 Poles, Crossbar 1150 mm	2 Displays 2 Poles, Crossbar 1150 mm	3 Displays 2 Poles, Crossbar 1500 mm	4 Displays 3 Poles, Crossbar 1500 mm
Stand configuration				
1 Row	X*	X*	X*	X*
2 Rows	X*	X*	X*	X*
3 Rows	59 Kg	24 Kg	13 Kg	17 Kg
4 Rows	113 Kg	81 Kg	51 Kg	59 Kg
Trolley configuration				
1 Row	X*	X*	X*	X*
2 Rows	X*	X*	X*	X*
3 Rows	X*	X*	X*	X*
4 Rows	X*	X*	X*	X*

* Please contact Vogel's



Video wall Kits 2x2





Kit: FVW 2255 Video wall Floor stand 2x2

Display size:	46/47 - 55 inch
Fitment:	1935 x 400 mm
Configuration:	2x2, floor stand
Max load:	80 kg/display

KIT: FVW 2255, consists of

- 2x PFF 7920, video wall floor stand base
- 1x PFA 9129, cross bar 1150mm
- 2x PUC 2920, pole 2000 mm
- 2x PFB 3419, display interface bar
- 4x PFS 3504, display interface strip 3D





Kit: **TVW 2255** Video wall Trolley 2x2

Display size:	46/47 - 55 inch
Fitment:	1935 x 400 mm
Configuration:	2x2, trolley
Max load:	80 kg/display

KIT: TVW 2255, consists of

- 2x PFF 8920, video wall trolley base
- 1x PFA 9129, cross bar 1150mm
- 2x PUC 2920, pole 2000 mm
- 2x PFB 3419, display interface bar
- 4x PFS 3504, display interface strip 3D





Kit: **FMVW 2255** Video wall Floor mounted 2x2

Display size:	46/47 - 55 inch
Fitment:	1935 x 400 mm
Configuration:	2x2, floor stand
Max load:	80 kg/display

KIT: FMVW 2255, consists of

- 2x PFF 7960, Floor mounting plate fixed
- 2x PUC 2920, pole 2000 mm
- 2x PFB 3419, display interface bar
- 4x PFS 3504, display interface strip 3D



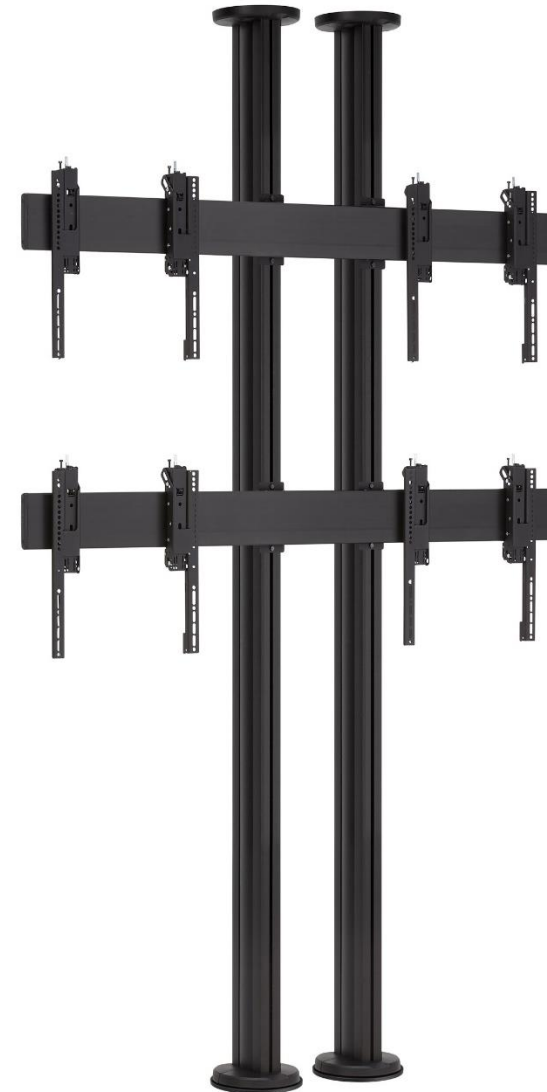


Kit: FCVW 2255 Video wall Floor to ceiling 2x2

Display size:	46/47 - 55 inch
Fitment:	1935 x 400 mm
Configuration:	2x2, floor stand
Max load:	80 kg/display
Ceiling height:	3,30m

KIT: FCVW 2255, consists of

- 2x PFF 7960, Floor mounting plate fixed
- 2x PFA 9132. Floor to ceiling support
- 2x PUC 2933, pole 3300 mm
- 2x PFB 3419, display interface bar
- 4x PFS 3504, display interface strip 3D

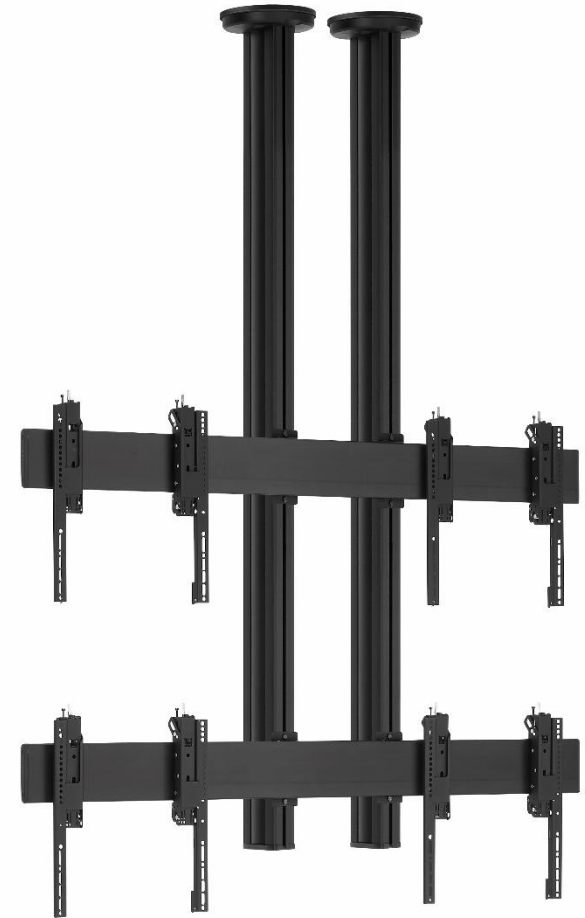


Kit: CVW 2255 Video wall Ceiling 2x2

Display size:	46/47 - 55 inch
Fitment:	1935 x 400 mm
Configuration:	2x2, floor stand
Max load:	80 kg/display

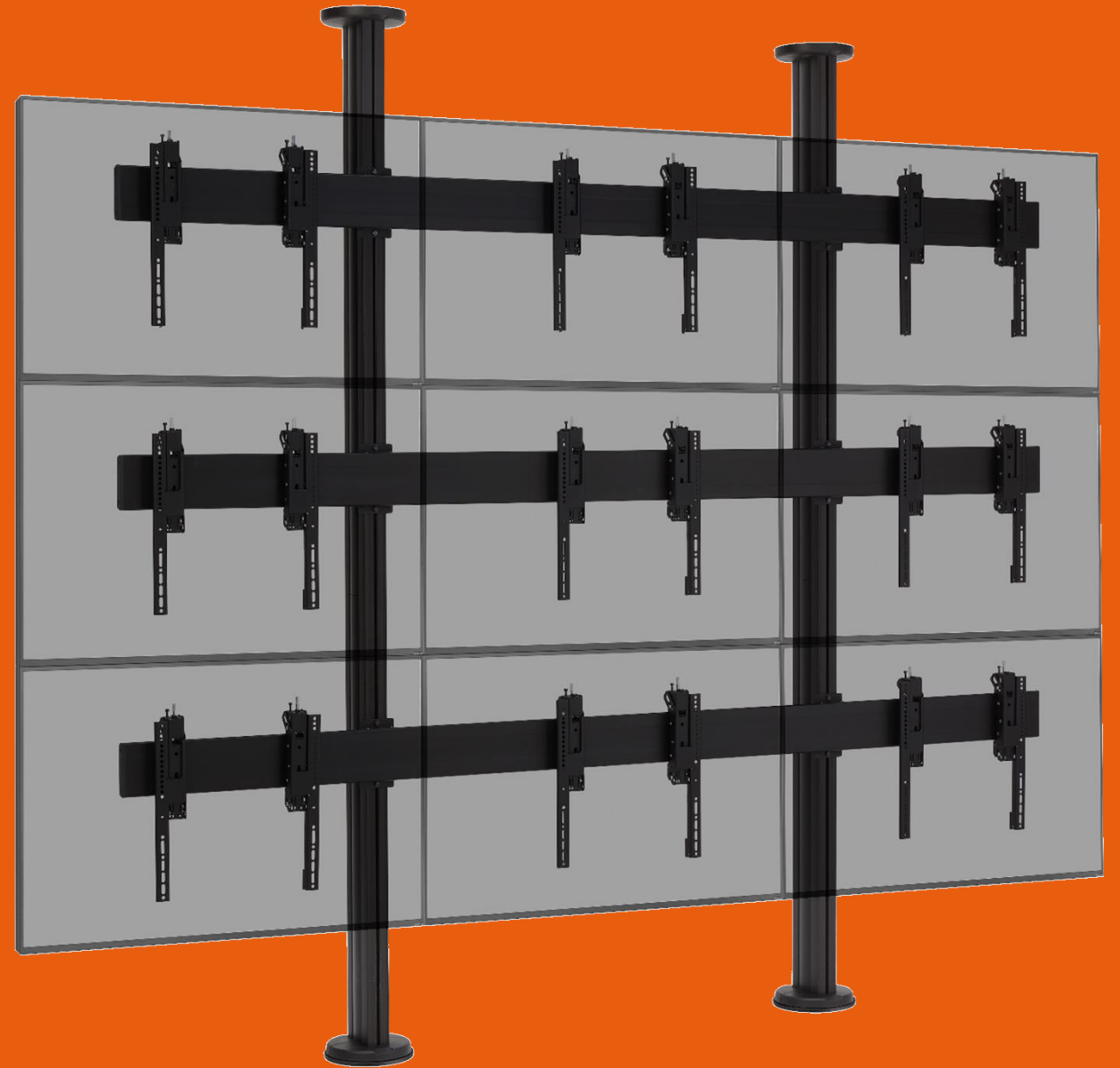
KIT: CVW 2255, consists of

- 2x PUC 1910, Floor ceiling plate fixed
- 2x PUC 2920, pole 2000 mm
- 2x PFB 3419, display interface bar
- 4x PFS 3504, display interface strip 3D





Video wall Kits 3x3





Kit: FVW 3347 Video wall Floor stand 3x3

Display size:	46/47 inch
Fitment:	2785 x 400 mm
Configuration:	3x3, floor stand
Max load:	45 kg/display

KIT: FVW 3347, consists of

- 2x PFF 7920, video wall floor stand base
- 1x PFA 9130, cross bar 1500 mm
- 2x PUC 2927, pole 2700 mm
- 3x PFB 3427, display interface bar
- 9x PFS 3504, display interface strip 3D





Kit: FVW 3355 Video wall Floor stand 3x3

Display size:	55 inch
Fitment:	3335 x 400 mm
Configuration:	3x3, floor stand
Max load:	45 kg/display

KIT: FVW 3355, consists of

- 2x PFF 7920, video wall floor stand base
- 1x PFA 9130, cross bar 1500 mm
- 2x PUC 2927, pole 2700 mm
- 3x PFB 3433, display interface bar
- 9x PFS 3504, display interface strip 3D





Kit: TVW 3347 Video wall Trolley 3x3

Display size:	46/47 inch
Fitment:	2785 x 400 mm
Configuration:	3x3, trolley
Max load:	20 kg/display

KIT: TVW 3347, consists of

- 2x PFF 8920, video wall trolley base
- 1x PFA 9130, Cross bar 1500 mm
- 2x PUC 2927, Pole 2700 mm
- 3x PFB 3427, Display interface bar
- 9x PFS 3504, Display interface strip 3D





Kit: TVW 3355 Video wall Trolley 3x3

Display size:	55 inch
Fitment:	3335 x 400 mm
Configuration:	3x3, trolley
Max load:	44 kg/display

KIT: TVW 3355, consists of

- 2x PFF 8920, video wall trolley base
- 1x PFA 9130, Cross bar 1500 mm
- 2x PUC 2927, Pole 2700 mm
- 3x PFB 3433, Display interface bar
- 9x PFS 3504, Display interface strip 3D





Kit: FMVW 3347 Video wall Floor mounted 3x3

Display size:	46/47 inch
Fitment:	2785 x 400 mm
Configuration:	3x3, floor stand
Max load:	45 kg/display

KIT: FMVW 3347, consists of

- 2x PFF 7960, Floor mounting plate fixed
- 2x PUC 2927, pole 2700 mm
- 3x PFB 3427, display interface bar
- 9x PFS 3504, display interface strip 3D





Kit: FMVW 3355 Video wall Floor mounted 3x3

Display size:	55 inch
Fitment:	3335 x 400 mm
Configuration:	3x3, floor stand
Max load:	45 kg/display

KIT: FMVW 3355, consists of

- 2x PFF 7960, Floor mounting plate fixed
- 2x PUC 2927, pole 2700 mm
- 3x PFB 3433, display interface bar
- 9x PFS 3504, display interface strip 3D





Kit: FCVW 3347 Video wall Floor to ceiling 3x3

Display size:	46/47 inch
Fitment:	2785 x 400 mm
Configuration:	3x3, floor stand
Max load:	53 kg/display
Ceiling height:	3,30m

KIT: FCVW 3347, consists of

- 2x PFF 7960, Floor mounting plate fixed
- 2x PFA 9132, Floor to ceiling support
- 2x PUC 2933, pole 3300 mm
- 3x PFB 3427, display interface bar
- 9x PFS 3504, display interface strip 3D





Kit: FCVW 3355 Video wall Floor to ceiling 3x3

Display size:	55 inch
Fitment:	3335 x 400 mm
Configuration:	3x3, floor stand
Max load:	53 kg/display
Ceiling height:	3,30m

KIT: FCVW 3355, consists of

- 2x PFF 7960, Floor mounting plate fixed
- 2x PFA 9132, Floor to ceiling support
- 2x PUC 2933, pole 3300 mm
- 3x PFB 3433, display interface bar
- 9x PFS 3504, display interface strip 3D



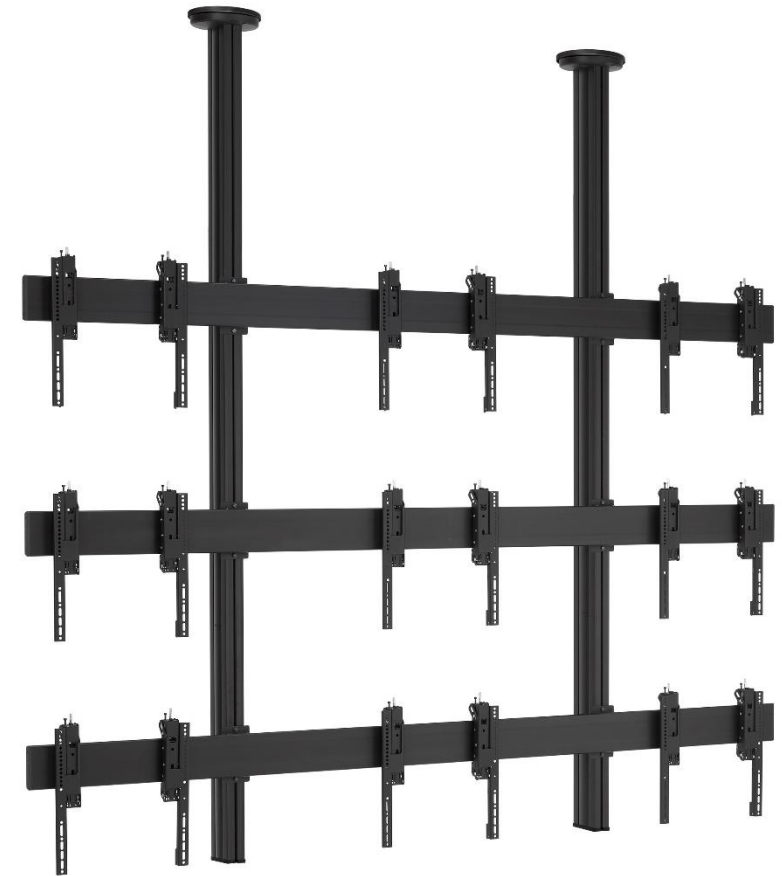


Kit: CVW 3347 Video wall Ceiling 3x3

Display size:	46/47 inch
Fitment:	2785 x 400 mm
Configuration:	3x3, floor stand
Max load:	45 kg/display

KIT: CVW 3347, consists of

- 2x PUC 1910, Ceiling plate fixed
- 2x PUC 2927, pole 2700 mm
- 3x PFB 3427, display interface bar
- 9x PFS 3504, display interface strip 3D

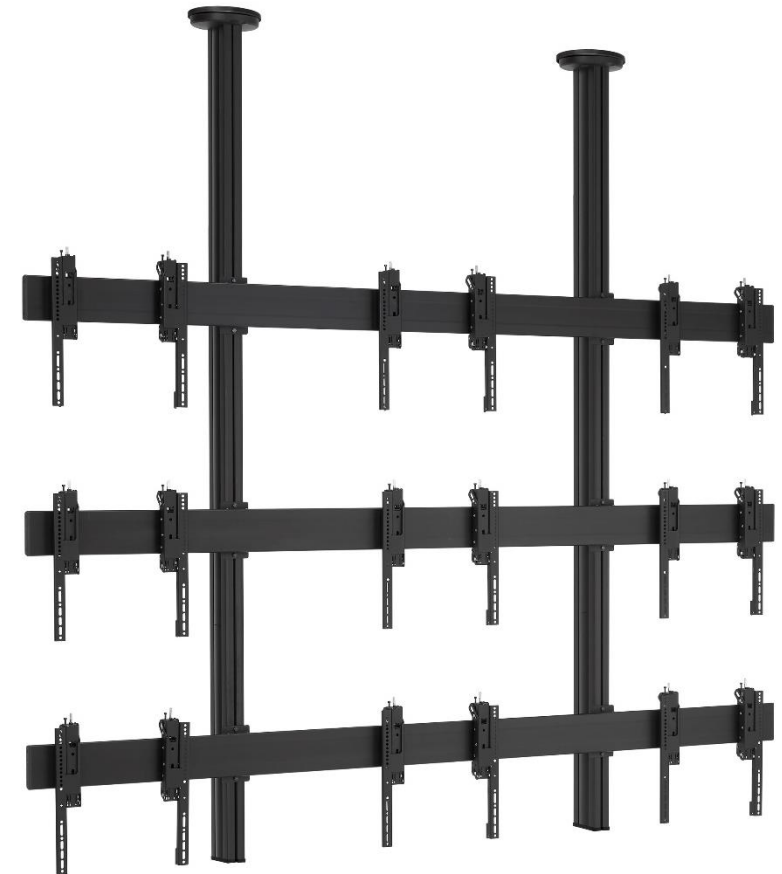


Kit: CVW 3355 wall Ceiling 3x3

Display size:	55 inch
Fitment:	3335 x 400 mm
Configuration:	3x3, floor stand
Max load:	45 kg/display

KIT: CVW 3355, consists of

- 2x PFF 7960, Ceiling plate fixed
- 2x PUC 2927, pole 2700 mm
- 3x PFB 3433, display interface bar
- 9x PFS 3504, display interface strip 3D





Logistical information components

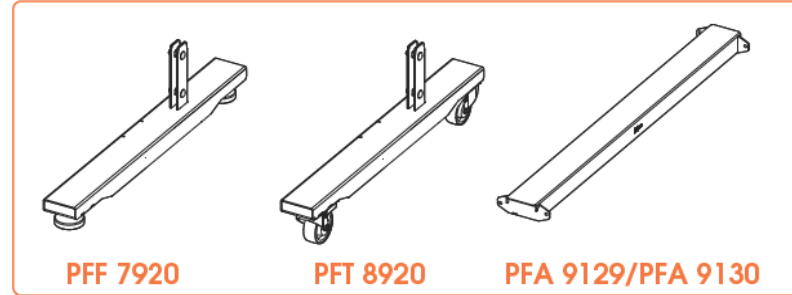
Model nr.	Description	Item Nr	Color	On pallet [pcs]	Carton Dimensions wlxh [mm]	Weight box [kg]	Weight box [lbs]	EAN-13
PFF 7920	PFF 7920 Video wall floor stand base	7279200	Black	30	229x1099x143	12,0	26,5	8712285336669
PFT 8920	PFT 8920 Video wall trolley base	7289200	Black	30	229x1099x143	12,0	26,5	8712285336645
PFA 9129	PFA 9129 Video wall cross bar 1150mm	7291290	Black	33	235x1345x128	10,0	22,0	8712285336683
PFA 9130	PFA 9130 Video wall cross bar 1500mm	7291300	Black	33	235x1682x128	12,7	28	8712285336706
PUC 2920	PUC 2920 Pole 200cm	7229200	Black	30	184x2115x117	10,0	22	8712285335761
PUC 2927	PUC 2927 Pole 270cm	7229290	Black	24	184x2820x117	13,5	29,8	8712285336720
PUC 2933	PUC 2933 Pole 330cm	7229330	Black	24	184x3420x117	16,6	36,6	8712285336744
PFA 9131	PFA 9131 Pole coupler for PUC 29xx	7291310	Black	340	105x470x80	1,7	3,7	8712285336805
PFA 9132	PFA 9132 Floor / Ceiling support	7291320	Black	171	190x245x170	1,3	2,9	8712285336829
PFA 9133	PFA 9133 Wall support sliding bracket	7291330	Black	288	130x405x95	1,2	2,6	8712285336843
PFF 7960	PFF 7960 Floor mounting plate	7279600	Black	120	270x262x155	6,1	13,4	8712285336768
PUC 1910	PUC 1910 Ceiling plate fixed	7219100	Black	120	270x262x155	6,2	13,7	8712285336782



Logistical information kits

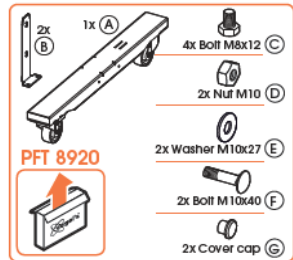
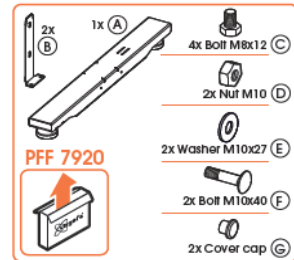
Model nr.	Description	Item Nr.	Colour	EAN-13
FMVW 2255	FMVW 2255 VIDEO WALL FLOOR MOUNTED 2X2	7922570	Black	8712285341489
FCVW 2255	FCVW 2255 VIDEO WALL FLOOR TO CEILING 2X2	7922580	Black	8712285341502
CVW 2255	CVW 2255 VIDEO WALL CEILING 2X2	7922590	Black	8712285341526
FMVW 3347	FMVW 3347 VIDEO WALL FLOOR MOUNTED 3X3	7933490	Black	8712285341540
FMVW 3355	FMVW 3355 VIDEO WALL FLOOR MOUNTED 3X3	7933570	Black	8712285341564
FCVW 3347	FCVW 3347 VIDEO WALL FLOOR TO CEILING 3X3	7933500	Black	8712285341588
FCVW 3355	FCVW 3355 VIDEO WALL FLOOR TO CEILING 3X3	7933580	Black	8712285341601
CVW 3347	CVW 3347 VIDEO WALL CEILING 3X3	7933510	Black	8712285341625
CVW 3355	CVW 3355 VIDEO WALL CEILING 3X3	7933590	Black	8712285341649
FVW 2255	FVW 2255 VIDEO WALL FLOOR STAND 2X2	7922550	Black	8712285338526
FVW 3347	FVW 3347 VIDEO WALL FLOOR STAND 3X3	7922470	Black	8712285339684
FVW 3355	FVW 3355 VIDEO WALL FLOOR STAND 3X3	7933550	Black	8712285338540
TVW 2255	TVW 2255 VIDEO WALL TROLLEY 2X2	7922560	Black	8712285338564
TVW 3347	TVW 3347 VIDEO WALL TROLLEY 3X3	7922480	Black	8712285339707
TVW 3355	TVW 3355 VIDEO WALL TROLLEY 3X3	7933560	Black	8712285338588

Manual: PFF 7920/ PFT 8920/ PFA 9129/ PFA 9130

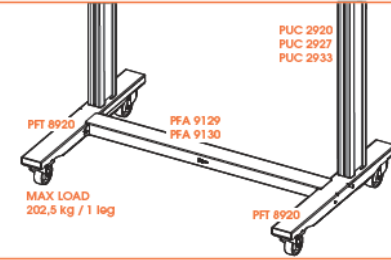
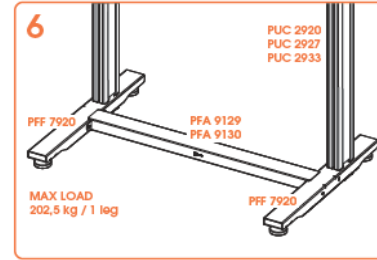
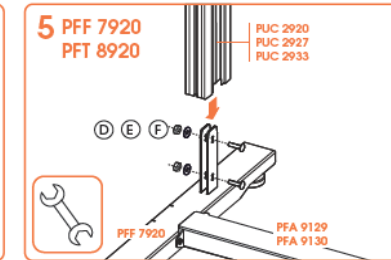
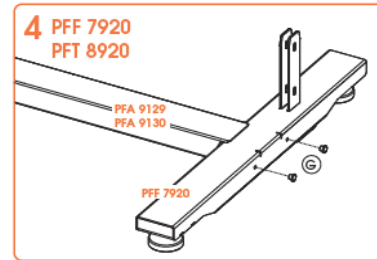
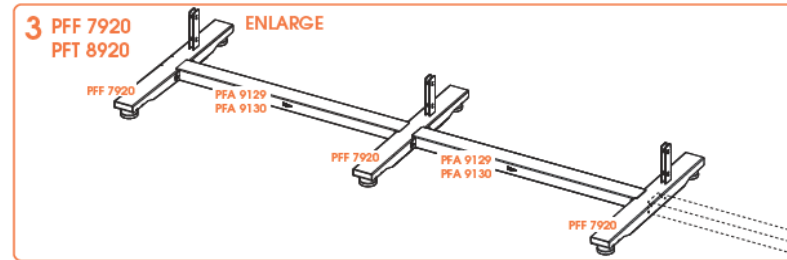
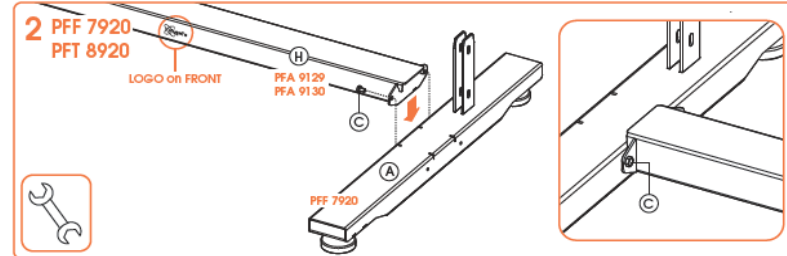
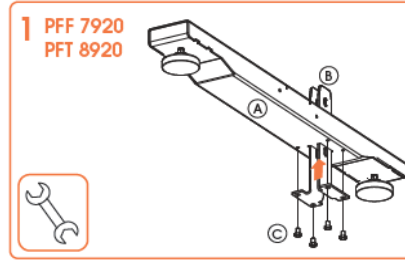


EN Mounting instructions	IT Istruzioni di montaggio	RU Инструкция по сборке и установке	RO Instrucțiuni de montaj
DE Montageanleitung	PT Manual de montagem	CZE Návod k montáži	UK Вказівки по монтажі
FR Consignes d'installation	EL Οδηγίες συναρμολόγησης	SK Návod na montáž	BG Инструкции за монтаж
NL Montagevoorschrift	SV Montageföreskrifter	HU Szerelési előírás	JA 設置の説明書
ES Instrucciones de montaje	PL Instrukcja montażu	TR Montaj k ilavuzu	ZH 装配说明

PFF 7920 max. 202,5 kg / 445,5 lbs
 PFT 8920 max. 202,5 kg / 445,5 lbs



(GB) Subject to printing errors and technical amendments.
 (NL) Drukfouten en technische wijzigingen voorbehouden.
 (F) Sous réserve de fautes d'impression et de modifications techniques.
 (D) Für Druckfehler übernehmen wir keine Verantwortung. Technische Änderungen vorbehalten.
 (E) Reservados errores de imprenta y suite a modificaciones.
 (P) Reservado a ocorrência de grafias e de modificações técnicas.
 (H) Nyomtatási hibák és technikai változtatások jogát fenntartva.
 (PL) Zastrzeżenie się nadrukowe i wprowadzenia błędów drukarskich i zmian technicznych.
 (RU) Возможны ошибки при печати и технические модификации.
 Designed and engineered in the Netherlands
 More information on: www.vogels.com
 VOGEL'S PRODUCTS BV, HONDSBRUGLAAN 93, 5628 DB EINDHOVEN, THE NETHERLANDS





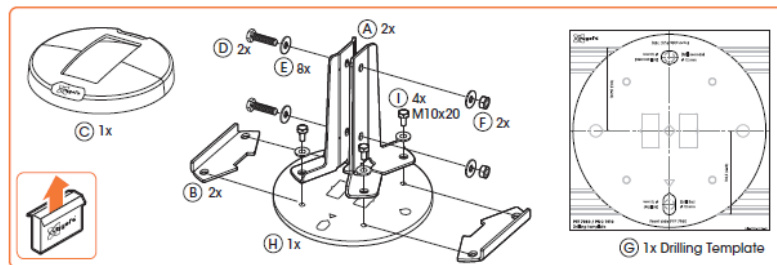
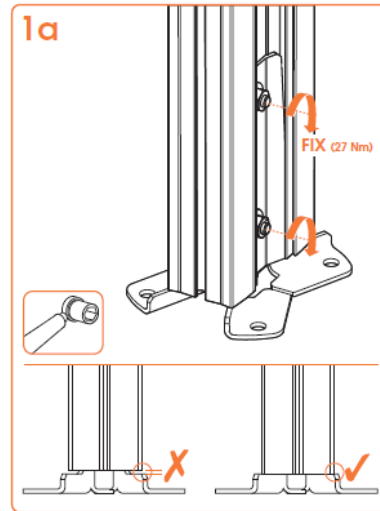
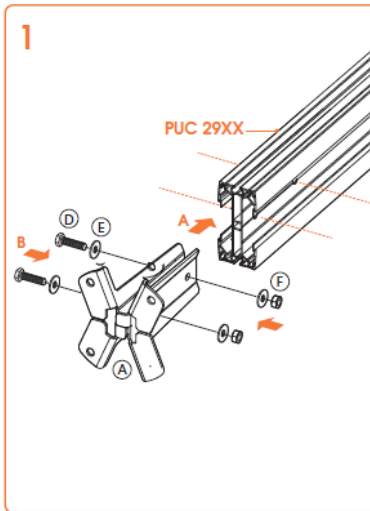
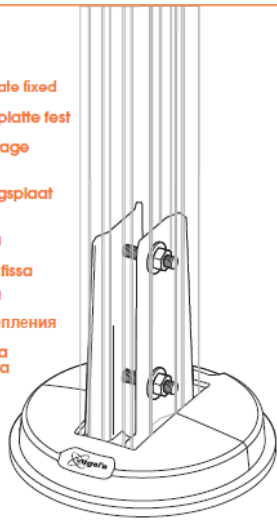
- EN Mounting Instructions
- DE Montageanleitung
- FR Consignes d'installation
- NL Montagevoorschrift
- ES Instrucciones de montaje
- IT Istruzioni di montaggio
- PT Manual de montagem
- EL Οδηγός συναρμολόγησης
- SV Montageföreskrifter
- PL Instrukcja montażu
- RU Инструкция по сборке и установке
- CZE Návod k montáži
- SK Návod na montáž
- HU Szerelési előírás
- TR Montaj k ilavuzu
- RO Instrucțiuni de montaj
- UK Вказівки по монтажі
- BG Инструкции за монтаж
- JA 設置の説明書
- ZH 装配说明



PFF 7960 max. (2x)337,5 kg / (2x)742.5 lbs

PFF 7960

- EN. Floor mounting plate fixed
- DE. Bodenmontageplatte fest
- FR. Plaque de montage au sol fixe
- NL. Vloerbevestigingsplaat vast
- ES. Base a suelo fija
- IT. Piastra a soffitto fissa
- RUS. Фиксированная пластина для напольного крепления
- PL. Płyta montażowa podłogowa stała



EN. ***NOTE:** Anchors are not included, type of anchor needs to be determined on site. For selecting the right anchors, please contact your local specialist. For example: Fischer at: <https://www.fischer-international.com/en>.

DE. ***HINWEIS:** Die Dübel sind nicht enthalten, der passende Dübel muss vor Ort ermittelt werden. Bitte wenden Sie sich an Ihren Spezialisten vor Ort, um den richtigen Dübel auszuwählen. Zum Beispiel: Fischer unter: <https://www.fischer-international.com/en>.

FR. ***REMARQUE :** les fixations ne sont pas fournies, le modèle des fixations devant être déterminé a part. Veuillez contacter votre spécialiste local pour la sélection des fixations qui conviennent. Par exemple : Fischer a: <https://www.fischer-international.com/en>.

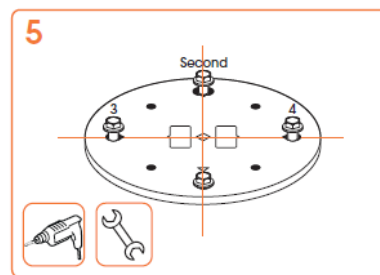
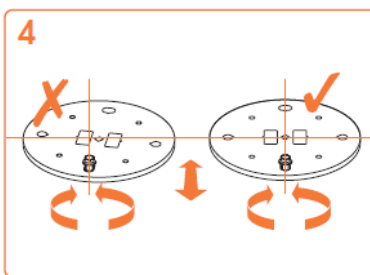
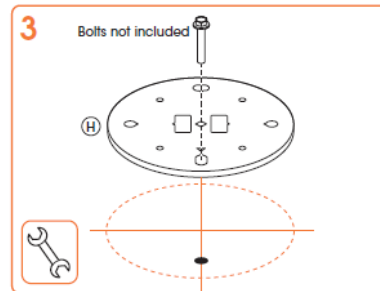
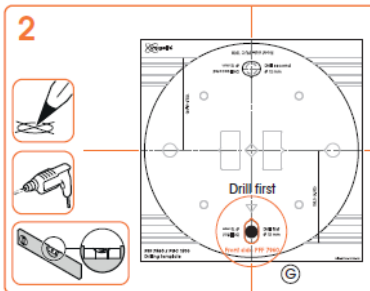
NL. ***LET OP:** Verankeringen niet inbegrepen. Het type verankering dient ter plaatse te worden bepaald. Neem voor het kiezen van de juiste ankers contact op met je lokale specialist. Bijvoorbeeld Fischer: <https://www.fischer-international.com/en>.

ES. **-NOTA:** No se incluyen los anclajes. El tipo de anclaje debe determinarse según la ubicación. Para seleccionar los anclajes correctos, contacta con tu especialista local. Por ejemplo: Fischer en: <https://www.fischer-international.com/en>.

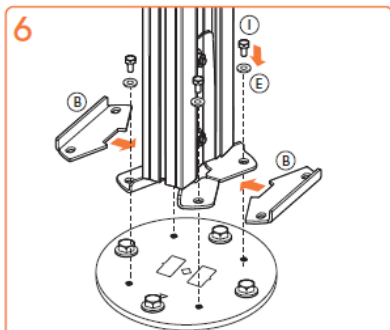
IT. ***NOTA:** gli ancoraggi non sono inclusi. Il tipo di ancoraggio deve essere determinato separatamente. Contattare uno specialista locale per selezionare gli ancoraggi adatti. Ad esempio: Fischer all'indirizzo: <https://www.fischer-international.com/en>.

RUS. **ВНИМАНИЕ!** Минимальное усилие растяжения на каждый дюбель составляет 3,6 кН для цельного и растрескавшегося бетона, в расчете при креплении на 4 отверстия в потолочной или напольной плите.

PL. **UWAGA:** Minimalne obciążenie rozciągające na śrubę kotwiącą wynosi 3,6 kN w betonie zarysowanym i niezarysowanym, przyjmując, że wszystkie 4 otwory w płycie podłogowej/sufitowej zostały wykorzystane do montażu.



Manual: PFF 7960



EN. NOTE: The minimum tension load per anchor is 3,6 kN in cracked and non-cracked concrete, assuming that all 4 holes in the floor/ceiling plate are used by installation.

DE. HINWEIS: In der Annahme, dass bei der Installation alle 4 Löcher in der Boden-/Deckenplatte verwendet werden, liegt die Mindestzugkraft pro Dübel in gerissenem und ungerissenem Beton bei 3,6 kN.

FR. REMARQUE : l'effort de tension minimal par fixation est de 3,6 kN dans le béton fissuré ou non, en assumant que les 4 trous dans la plaque de sol / plafond sont utilisés pour le montage.

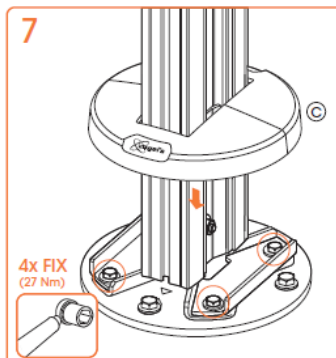
NL. LET OP: De minimale trekkracht per verankering is 3,6 kN in gescheurd en ongescheurd beton, ervan uitgaande dat alle vier gaten in de vloer-/plafondplaat bij de installatie worden gebruikt.

ES. NOTA: La carga de tensión mínima por anclaje es de 3,6 kN en hormigón fisurado o no fisurado, suponiendo que se utilicen los 4 orificios de la placa del suelo/techo en la instalación.

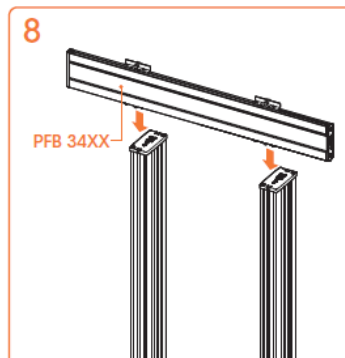
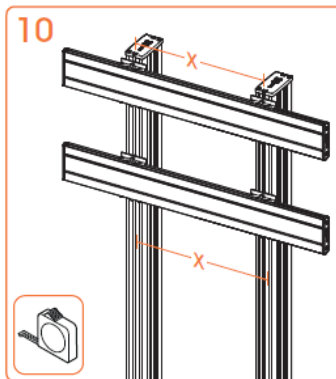
IT. NOTA: il carico di tensione minimo per ancoraggio è pari a 3,6 kN in cemento che presenta o meno spaccature, supponendo che per l'installazione vengano utilizzati tutti e 4 i fori nella piastra a pavimento/soffitto.

RUS. ВНИМАНИЕ! Минимальное усилие растяжения на каждый дюбель составляет 3,6 кН для цельного и трещиноватого бетона, в расчете при креплении на 4 отверстия в потолочной или напольной пластине.

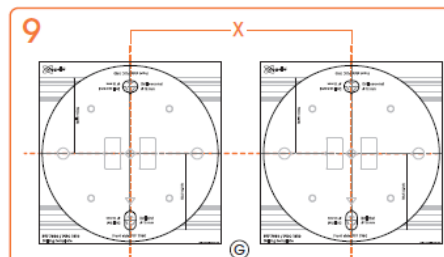
PL. UWAGA: Minimalne obciążenie rozciągające na śrubę kotwową wynosi 3,8 kN w betonie zarysowanym i niezarysowanym, przyjmując, że wszystkie 4 otwory w płycie podłogowej/sufitowej zostały wykorzystane do montażu.



4x FIX
(27 Nm)



PFB 34XX



EN. NOTE: This is a modular component, please read also the instruction of the PUC 29xx, PFB 34xx and PFS 3xxx.

DE. HINWEIS: Dies ist eine modulare Komponente, bitte lesen Sie auch die Anleitungen zu PUC 29xx, PFB 34xx und PFS 3xxx.

FR. REMARQUE : il s'agit ici d'un composant modulaire, lisez également les instructions des séries PUC 29xx, PFB 34xx et PFS 3xx.

NL. LET OP: Dit is een modulair component. Lees ook de instructies bij de PUC 29xx, PFB 34xx en PFS 3xxx.

ES. NOTA: Este es un componente modular. Lee también las instrucciones del PUC 29xx, PFB 34xx y PFS 3xxx.

IT. NOTA: questo è un componente modulare. Leggere pertanto le istruzioni di PUC 29xx, PFB 34xx e PFS 3xxx.

RUS. ВНИМАНИЕ! Это модульный компонент, обязательно ознакомьтесь с инструкцией для PUC 29xx, PFB 34xx и PFS 3xxx.

PL. UWAGA: To jest element modularny. Zapoznaj się również z instrukcją PUC 29xx, PFB 34xx oraz PFS 3xxx.

(GB) Subject to printing errors and technical amendments.
(NL) Drukfouten en technische wijzigingen voorbehouden.
(F) Sous réserve de fautes d'impression et de modifications techniques.
(D) Für Druckfehler übernehmen wir keine Verantwortung. Technische Änderungen vorbehalten.
(E) Reservados errores de imprenta y sujeta a modificaciones.
(I) Con riserva di modifiche tecniche e di eventuali errori di stampa.
(P) Reservada a ocorrência de falhas e de modificações técnicas.
(R) Нормативное и техническое изменения (по согласованию).
(PL) Zastrzeżenie możliwość wystąpienia błędów drukarskich i zmian technicznych.
(RUS) Возможны ошибки при печати и техническое изменение.



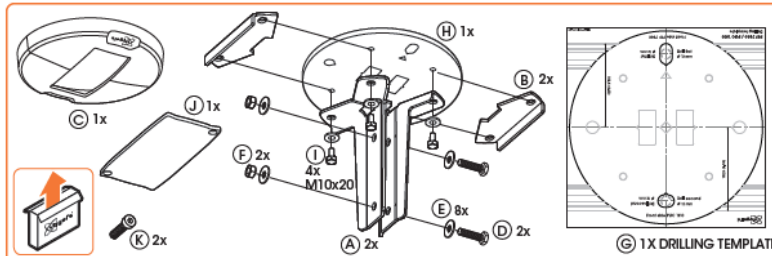
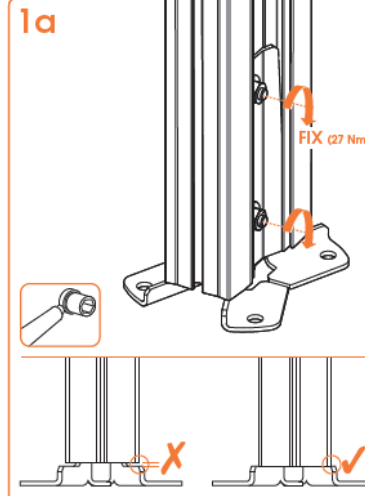
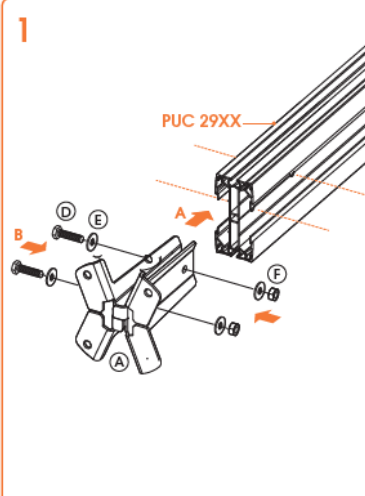
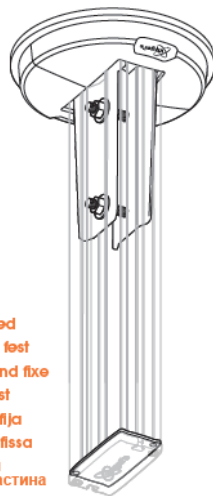
- EN Mounting instructions
- DE Montageanleitung
- FR Consignes d'installation
- NL Montagevoorschrift
- ES Instrucciones de montaje
- IT Istruzioni di montaggio
- PT Manual de montagem
- EL Οδηγός συναρμολόγησης
- SV Montageföreskrifter
- PL Instrukcja montażu
- RU Инструкция по сборке и установке
- CZE Návod k montáži
- SK Návod na montáž
- HU Szerelési előírás
- TR Montaj k ilavuzu
- RO Instrucțiuni de montaj
- UK Вказівки по монтажі
- BG Инструкция за монтаж
- JA 設置の説明書
- ZH 装配说明



PUC 1910 max. (2x)202,5 kg / (2x)445.5 lbs

PUC 1910

- EN. Ceiling plate fixed
- DE. Deckenadapter fest
- FR. Plaque de plafond fixe
- NL. Plafondplaat vast
- ES. Placa de techo fija
- IT. Plastr a soffitto fissa
- RUS. Фиксированная потолочная пластина
- PL. Płyta sufitowa stała



EN. *NOTE: Anchors are not included, type of anchor needs to be determined on site. For selecting the right anchors, please contact your local specialist. For example: Fischer at: <https://www.fischer-international.com/en>.

DE. *HINWEIS: Die Dübel sind nicht enthalten, der passende Dübel muss vor Ort ermittelt werden. Bitte wenden Sie sich an Ihren Spezialisten vor Ort, um den richtigen Dübel auszuwählen. Zum Beispiel: Fischer unter: <https://www.fischer-international.com/en>.

FR. *REMARQUE: les fixations ne sont pas fournies, le modèle des fixations devant être déterminé a part. Veuillez contacter votre spécialiste local pour la sélection des fixations qui conviennent. Par exemple: Fischer à: <https://www.fischer-international.com/en>.

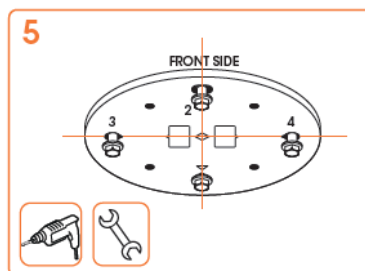
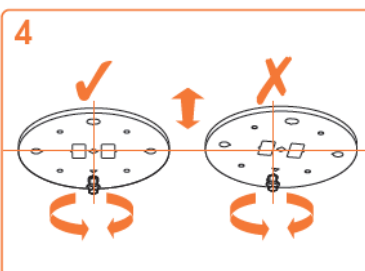
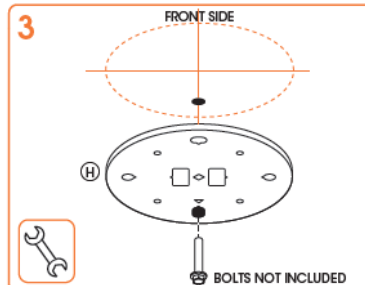
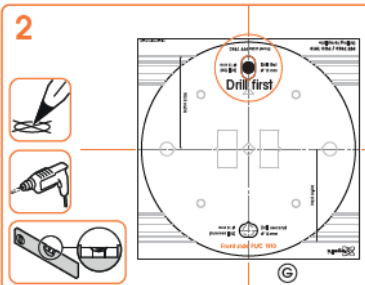
NL. *LET OP: Verankeringen niet inbegrepen. Het type verankerend dient ter plaatse te worden bepaald. Neem voor het kiezen van de juiste ankers contact op met je lokale specialist. Bijvoorbeeld Fischer: <https://www.fischer-international.com/en>.

ES. *NOTA: No se incluyen los anclajes. El tipo de anclaje debe determinarse según la ubicación. Para seleccionar los anclajes correctos, contacta con tu especialista local. Por ejemplo: Fischer en: <https://www.fischer-international.com/en>.

IT. *NOTA: gli ancoraggi non sono inclusi. Il tipo di ancoraggio deve essere determinato separatamente. Contattare uno specialista locale per selezionare gli ancoraggi adatti. Ad esempio: Fischer all'indirizzo: <https://www.fischer-international.com/en>.

RUS. ВНИМАНИЕ! Минимальное усилие растяжения на каждый дюбель составляет 3,6 кН для цельного и растрескавшегося бетона, в расчете при креплении на 4 отверстия в потолочной или напольной пластине.

PL. UWAGA: Minimalne obciążenie rozciągające na śrubę kotwiącą wynosi 3,6 kN w betonie zarysowanym i niezarysowanym, przyjmując, że wszystkie 4 otwory w płycie podłogowej/sufitowej zostały wykorzystane do montażu.



6

EN. NOTE: The minimum tension load per anchor is 3,6 kN in cracked and non-cracked concrete, assuming that all 4 holes in the floor/ceiling plate are used by installation.

DE. HINWEIS: In der Annahme, dass bei der Installation alle 4 Löcher in der Boden-/Deckenplatte verwendet werden, liegt die Mindestzugkraft pro Dübel in gerissenem und ungerissenem Beton bei 3,6 kN.

FR. REMARQUE : l'effort de tension minimal par fixation est de 3,6 kN dans le béton fissuré ou non, en assumant que les 4 trous dans la plaque de sol / plafond sont utilisés pour le montage.

NL. LET OP: De minimale trekkracht per verankering is 3,6 kN in gescheurd en ongescheurd beton, ervan uitgaande dat alle vier gaten in de vloer-/plafondplaat bij de installatie worden gebruikt.

ES. NOTA: La carga de tensión mínima por anclaje es de 3,6 kN en hormigón fisurado o no fisurado, suponiendo que se utilicen los 4 orificios de la placa del suelo/techo en la instalación.

IT. NOTA: Il carico di tensione minimo per ancoraggio è pari a 3,6 kN in cemento che presenta o meno spaccature, supponendo che per l'installazione vengano utilizzati tutti e 4 i fori nella piastra a pavimento/soffitto.

RUS. ВНИМАНИЕ! Минимальное усилие растяжения на каждый дюбель составляет 3,6 кН для цельного и растрескавшегося бетона, в расчете при креплении на 4 отверстия в потолочной или напольной пластине.

PL. UWAGA: Minimalne obciążenie rozciągające na śrubę kotwową wynosi 3,6 kN w betonie zarysowanym i niezarysowanym, przyjmując, że wszystkie 4 otwory w płycie podłogowej/sufitowej zostały wykorzystane do montażu.

7

4x FIX (27 Nm)

8

8a

PFB 34XX

8b

9

EN. NOTE: This is a modular component, please read also the instruction of the PUC 29xx, PFB 34xx and PFS 3xxx.

DE. HINWEIS: Dies ist eine modulare Komponente, bitte lesen Sie auch die Anleitungen zu PUC 29xx, PFB 34xx und PFS 3xxx.

FR. REMARQUE : il s'agit ici d'un composant modulaire, lisez également les instructions des séries PUC 29xx, PFB 34xx et PFS 3xx.

NL. LET OP: Dit is een modulair component. Lees ook de instructies bij de PUC 29xx, PFB 34xx en PFS 3xxx.

ES. NOTA: Este es un componente modular. Lee también las instrucciones del PUC 29xx, PFB 34xx y PFS 3xxx.

IT. NOTA: questo è un componente modulare. Leggere pertanto le istruzioni di PUC 29xx, PFB 34xx e PFS 3xxx.

RUS. ВНИМАНИЕ! Это модульный компонент, обязательно ознакомьтесь с инструкцией для PUC 29xx, PFB 34xx и PFS 3xxx.

PL. UWAGA: To jest element modułowy. Zapoznaj się również z instrukcją PUC 29xx, PFB 34xx oraz PFS 3xxx.

10

(GB) Subject to printing errors and technical amendments.
 (NL) Drukfouten en technische wijzigingen voorbehouden.
 (F) Sous réserve de fautes d'impression et de modifications techniques.
 (D) Für Druckfehler übernehmen wir keine Verantwortung. Technische Änderungen vorbehalten.
 (E) Reservados errores de imprenta y sujeta a modificaciones.
 (P) Reserva-se a ocorrência de grafias e de modificações técnicas.
 (H) Nyomdaihibak és technikai változtatások joga fenntartva.
 (PL) Zastrzeżenie możliwości występowania błędów drukarskich i zmian technicznych.
 (RUS) Возможны ошибки при печати и технические модификации.

Designed and engineered in the Netherlands
 More information on: www.vogels.com
 VOGEL'S PRODUCTS BV HONDSRUGLAAN 93, 5628 DB ENDHOVEN, THE NETHERLANDS

58

Manual: PFA 9131

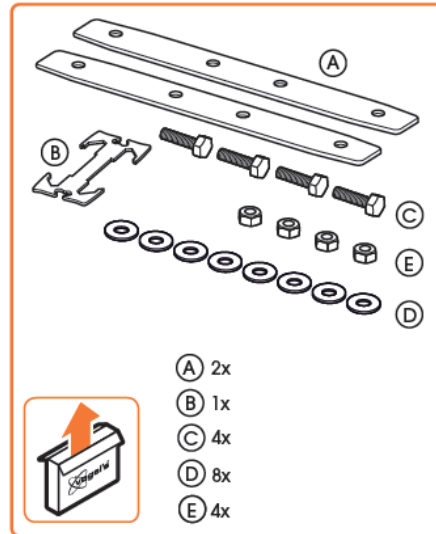
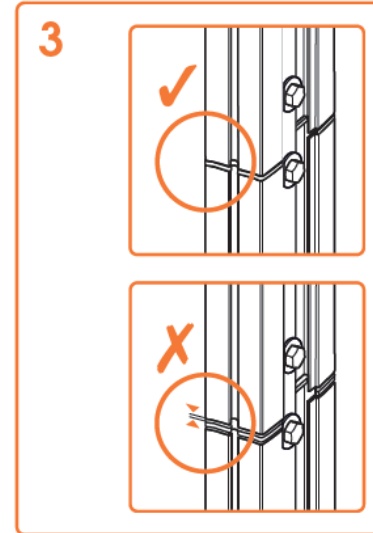
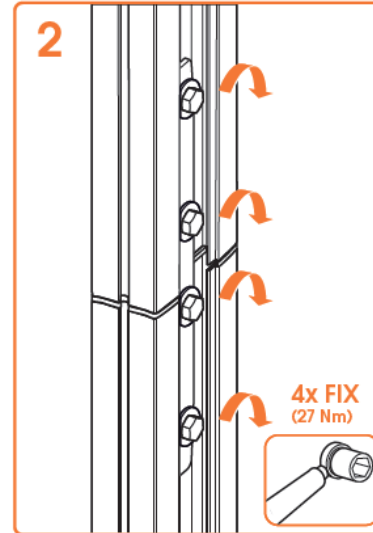


- EN Mounting instructions
- DE Montageanleitung
- FR Consignes d'installation
- NL Montagevoorschrift
- ES Instrucciones de montaje
- IT Istruzioni di montaggio
- PT Manual de montagem
- EL Οδηγίες συναρμολόγησης
- SV Montageföreskrifter
- PL Instrukcja montażu
- RU Инструкция по сборке и установке
- CZE Návod k montáži
- SK Návod na montáž
- HU Szerelési útmutató
- TR Montaj kılavuzu
- RO Instrucțiuni de montaj
- UK Вказівки по монтажу
- BG Инструкция за монтаж
- JA 設置の説明書
- ZH 装配说明

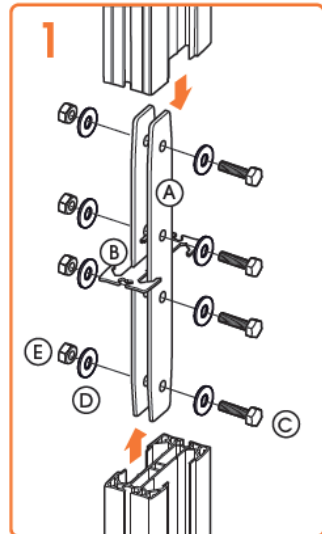


PFA 9131 max. 337,5 kg / 742,5 lbs

PFA 9131



- (A) 2x
- (B) 1x
- (C) 4x
- (D) 8x
- (E) 4x



- (GB) Subject to printing errors and technical amendments.
- (NL) Drukfouten en technische wijzigingen voorbehouden.
- (F) Sous réserve de fautes d'impression et de modifications techniques.
- (D) Für Druckfehler übernehmen wir keine Verantwortung. Technische Änderungen vorbehalten.
- (E) Reservados errores de imprenta y sujetos a modificaciones.
- (I) Con riserva di modifiche tecniche e di eventuali errori di stampa.
- (P) Reserva-se a ocorrência de gralhas e de modificações técnicas.
- (H) Nyomdahibák és technikai változtatások joga fenntartva.
- (PL) Zastrzeżenie możliwości występowania błędów drukarskich i zmian technicznych.
- (RUS) Возможны ошибки при печати и технические модификации.

Designed and engineered in the Netherlands
More information on: www.vogels.com

Manual: PFA 9132

EN Mounting instructions
 DE Montageanleitung
 FR Consignes d'installation
 NL Montagevoorschrift
 ES Instrucciones de montaje
 IT Istruzioni di montaggio
 PT Manual de montagem
 EL Οδηγός συναρμολόγησης
 SV Montageföreskrifter
 PL Instrukcja montażu
 RU Инструкция по сборке и установке
 CZE Návod k montáži
 SK Návod na montáž
 HU Szerelési előírás
 TR Montaj kılavuzu
 RO Instrucțiunile de montaj
 UK Вказівки по монтажі
 BG Инструкция за монтаж
 JA 設置の添付書
 ZH 裝配說明

PFA 9132

1 Drill hole after cutting PUC 29XX
 $\varnothing 10,5 \text{ mm}$

CEILING PFA 9132
 17.5 mm
 PFA 9131
 3 mm
 Height Floor to Ceiling - 48 mm
 27.5 mm
FLOOR PFF 7960

MOUNTING MATERIAL FLOOR/CEILING EXCLUDED

A 2x
B 1x
C 2x
D 1x
E 1x
F 1x

2

PFA 9132 Drilling Template

3

3a

HAND-TIGHTEN

3b

BOLTS NOT INCLUDED

3c

FIX

FIX (5 Nm)

4

4a

(GB) Subject to printing errors and technical amendments.
 (NL) Drukfouten en technische wijzigingen voorbehouden.
 (F) Sous réserve de fautes d'impression et de modifications techniques.
 (D) Für Druckfehler übernehmen wir keine Verantwortung. Technische Änderungen vorbehalten.
 (E) Reservados errores de imprenta y sujeta a modificaciones.
 (I) Con riserva di modifiche tecniche e di eventuali errori di stampa.
 (P) Reserva-se a ocorrência de gralhas e de modificações técnicas.
 (H) Nyomdahibák és technikai változtatások joga fenntartva.
 (PL) Zastrzeżenie się możliwość występowania błędów drukarskich i zmian technicznych.
 (RUS) Возможны ошибки при печати и технические модификации.

Designed and engineered in the Netherlands
 More information on: www.vogels.com

VOGELS PRODUCTS BV, HONDSRUGLAAN 93, 5628 DB EINDHOVEN, THE NETHERLANDS

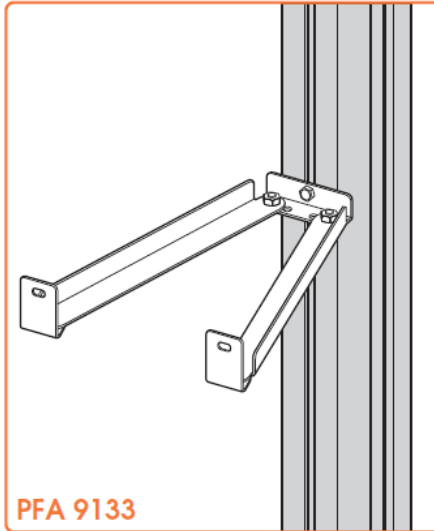
Manual: PFA 9133



- EN Mounting instructions
- DE Montageanleitung
- FR Consignes d'installation
- NL Montagevoorschrift
- ES Instrucciones de montaje
- IT Istruzioni di montaggio
- PT Manual de montagem
- EL Οδηγός συναρμολόγησης
- SV Montageföreskrifter
- PL Instrukcja montażu
- RU Инструкция по сборке и установке
- CZE Návod k montáži
- SK Návod na montáž
- HU Szerelési előírás
- TR Montaj kılavuzu
- RO Instrucțiuni de montaj
- UK Вказівки по монтажі
- BG Инструкции за монтаж
- JA 設置の説明書
- ZH 装配说明



PFA 9133



1

FIX

PUC 29XX

A 1x
B 1x
C 1x
D 2x
E 5x
F 1x

MOUNTING MATERIAL
TO WALL EXCLUDED

2

WALL

Max 100 mm

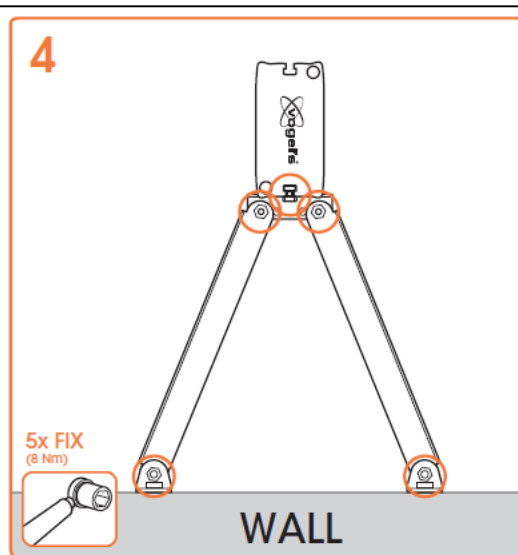
WALL

Max 350 mm

3

WALL

Max 350 mm



(GB) Subject to printing errors and technical amendments.
 (NL) Drukfouten en technische wijzigingen voorbehouden.
 (F) Sous réserve de fautes d'impression et de modifications techniques.
 (D) Für Druckfehler übernehmen wir keine Verantwortung.
 Technische Änderungen vorbehalten.
 (E) Reservados errores de imprenta y sujete a modificaciones.
 (I) Con riserva di modifiche tecniche e di eventuali errori di stampa.
 (P) Reserva-se a ocorrência de gralhas e de modificações técnicas.
 (H) Nyomdahibák és technikai változtatások joga fenntartva.
 (PL) Zastrzega się możliwość występowania błędów drukarskich i zmian technicznych.
 (RUS) Возможны ошибки при печати и технические модификации.

Designed and engineered in the Netherlands
 More information on: www.vogels.com

VOGEL'S PRODUCTS BV, HONDSRUGLAAN 93, 5628 DB EINDHOVEN, THE NETHERLANDS