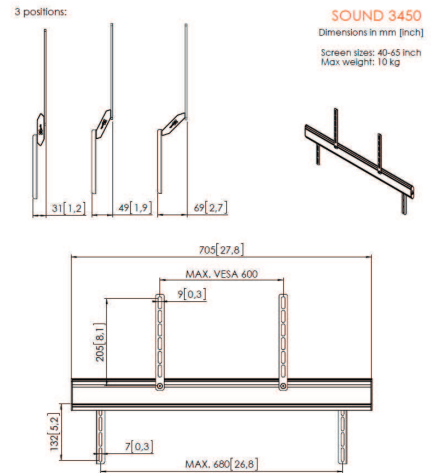


SOUND 3450 - UNIVERSAL SOUND BAR MOUNT

WHEN YOU TURN YOUR TV FROM SIDE TO SIDE YOU WANT YOUR SOUNDBAR TO MOVE WITH THE TV SCREEN. VOGEL'S UNIVERSAL SOUND BAR MOUNT (SOUND 3450) IS MADE ESPECIALLY FOR TURNABLE FLAT SCREEN TVs. THE SOUNDBAR ALWAYS FACES YOU SO THE PICTURE AND SOUND NEVER LOSE SYNC.



SOUND 3450 - UNIVERSAL SOUND BAR MOUNT

TO KEEP YOUR SOUNDBAR FLUSH WITH YOUR FLAT SCREEN TV, THE HEIGHT AND DEPTH OF THE SOUND BAR MOUNT CAN BE ADJUSTED TO FIT DIFFERENT SIZES AND SHAPES OF SOUNDBARS. THE ALUMINIUM FINISH ADDS A STYLISH ACCENT TO THE SOUND BAR BRACKET AND IT CAN BE USED WITH VIRTUALLY ANY TV WALL MOUNT. THE SOUND 3450 HOLDS A MAXIMUM SOUNDBAR WEIGHT OF 10 KG (22 LBS) AND PROVIDES SECURE SUPPORT FOR YOUR SOUND BAR.

FEATURES

LOGISTIC INFORMATION

EAN CODE PRODUCT	8712285326684
NET WEIGHT (KG)	1.2
SINGLE BOX WIDTH (MM)	107
SINGLE BOX LENGTH (MM)	821
SINGLE BOX HEIGHT (MM)	45

