

PFE 5100
Video conferencing furniture



Wt. 140 cm / 55"
 Max. 2 x 40 kg / 2 x 88 lbs

- Dedicated video conferencing furniture
- Easy-to-open front cover
- Built-in wheels
- Compatible with display interfaces, order PFB 34xx and PFS 33xx


PFA 9110
Camera / loudspeaker holder



10 kg / 22 lbs


- Fits on all Connect-It interface bars
- Can be used above and below the interface bar (inverted)
- Can be positioned on either side of the interface bar

PFA 9111
Video conferencing loudspeaker



- Top quality speech sound reproduction
- 2 x 25W digital amplifier
- RS 232C/272-286 communication
- Compatible with all interface bars
- Projection mode

PFE 7110
Motorized large display holder



Wt. 107-216 cm / 42-85"
 Max. 160 kg / 352 lbs

- Height adjustable over 50 cm (140-190 mm)
- Smooth and quiet operation
- Space for PC box NOT included; order additional interface bar PFB 3402 / 3411 and set interface display strips PFS 33xx, depending on display format


PFT 2510
Display holder



57/94 cm / 23/37"
55 kg / 121 lbs

- Height adjustable (113-177 cm)
- Autolock® locking system
- Cable storage under the base cover
- Compatible with all interface bars
- Mounting hole for cam lock cable
- NOT included; display interface, order FAU 3125 / 3130

PFF 2410
Display floor stand



81-165 cm / 32-65"
70 kg / 154 lbs

- Height adjustable (110-170 cm)
- Autolock® locking system
- Cable storage under the base cover
- Compatible with all interface bars
- Mounting hole for cam lock cable
- NOT included; display interface, order FAU 3125 / FAU 3130

PFB 34xx
Connect-It interface bars



80 kg / 176 lbs

- The interface bar is mounted on the furniture and the display strips are connected to it
- The display strips are connected to it
- The display strips are connected to it
- The popular VESA 400x400 mm is provided with PFB 3405 and PFS 3304

PFS 33xx
Connect-It interface display strips



80 kg / 176 lbs


- Interface display strips are mounted on the display and connect to the interface bar
- The display strips are connected to it
- The display strips are connected to it
- The popular VESA 400x400 mm is provided with PFB 3405 and PFS 3304

PFA 9104
Bar coupler



- Use PFA 9104 to create an extra long bar for dual display use


PFA 9050
Dual display adapter



Wt. 81-132 cm / 32-52"
 Max. 90 kg (245 kg / 198 lbs (2 x 99 lbs))

- Suitable for PFE 2410 and PFT 2510
- Autolock® locking system
- Height adjustable
- Max. display width 130 cm (51.2")

PFA 9051
Video conferencing camera holder



10 kg / 22 lbs

- Must be combined with PFA 9105 dual display adapter
- Height adjustable
- Camera can be positioned above or below the displays



Video conferencing

expanding conferencing experiences

Stylish mounting solutions for video conferencing



Product images showing the product are not to scale. All rights reserved. Product images showing the product are not to scale. All rights reserved.



www.vogels.com/professional

PFF 5100 Video conferencing furniture

Video conferencing is developing fast. Vogels is capitalising on this trend with a refreshing, specially designed furniture in which all necessary equipment can be accommodated. Perfectly suitable for the modern techniques of video conferencing. The furniture's design incorporates a great attention to detail. That is why the furniture is different from all existing, individual solutions. The Vogel's video conferencing furniture provides stylish integration of video conferencing equipment in almost all environments. Thanks to the wheels the furniture is easy to move.

Display mounting

For one or two displays, you choose the Vogel's Connect-It interface bar and strips to create the perfect fit. A special holder (PFA 9110) can be used in order to mount a video conferencing camera or loudspeaker.

The aluminium panel on the front can easily be removed, allowing access to the interior where a codec and other peripheral equipment can be stored.

In addition to video conferencing, the furniture is also ideal for use as a kiosk with a display in portrait position or as a luxury display stand in which peripherals can be stored.



PFA 9110 camera / loudspeaker holder

With the PFA 9110 a video conferencing camera or a loudspeaker can be mounted in a perfect position. As a result, the PFA 9110 is also easy to use in combination with other Connect-It applications.

- Camera or loudspeaker can be positioned above or below the display
- Use 2 x PFA 9110 to mount a camera and a loudspeaker
- The holder can also be positioned off-center



PFA 9111 Top class video conferencing loudspeaker

The PFA 9111 video conferencing loudspeaker is developed in collaboration with a world-renowned speaker manufacturer. It uses the most advanced audio technology for clear, 100% high-pitch sound. This means that the loudspeaker produces unparalleled, clear (voiced) sounds which make it feel as if the sound is actually coming from the room itself. Also the sound reaches much further into the room, even at low volumes.

In addition to the usual audio input, the built-in digital amplifier has a port for RS232-422-485 communications. As a result, the loudspeaker can be operated remotely in larger installations.

- Power: amplifier 2 x 25 W
- Loudspeakers: 4 x 2" drivers
- Sensitivity: 89 dB with 1 W at 1 meter
- Audio input: cinch
- RS 232-422-485 communication port
- Exactly matching the PFF 5100 furniture



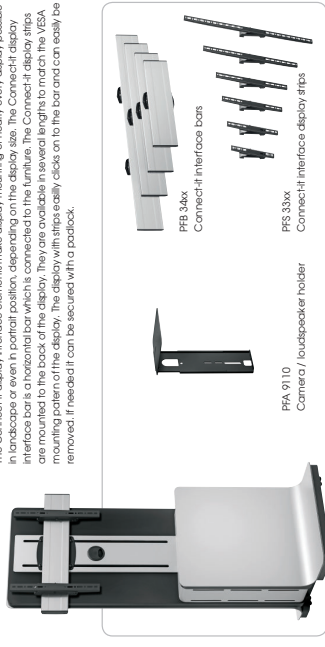
Detail: backside

Modular display fitment

PFF 5100 Video conferencing furniture is easy to combine with modular Connect-It Series

Single, portrait or landscape mounting

The Connect-It interface elements make display mounting of nearly every display possible in landscape or even in portrait position, depending on the display size. The Connect-It display interface bar is a horizontal bar which is connected to the furniture. The Connect-It display strips are mounted to the back of the display. They are available in several lengths to match the VESA mounting pattern of the display. The display with strips easily clicks on to the bar and can easily be removed. If needed it can be secured with a padlock.



Dual display mounting

For use with two extra long display interfaces a bar coupler is needed. This is easy to create with the PFA 9104 bar coupler. With the bar coupler you can connect two lengths of Connect-It interface bars to create the required length. Optional the camera / loudspeaker holder can be added to complete the set.

