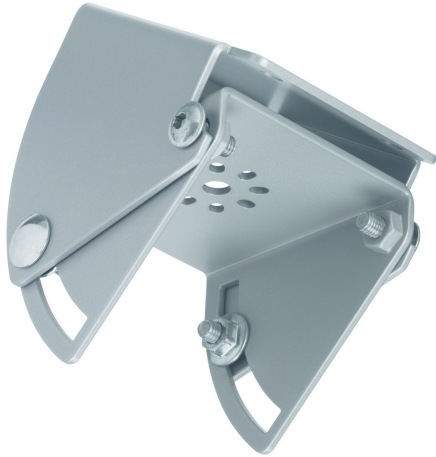


## Ceiling plate PUC 1030



### Specifications

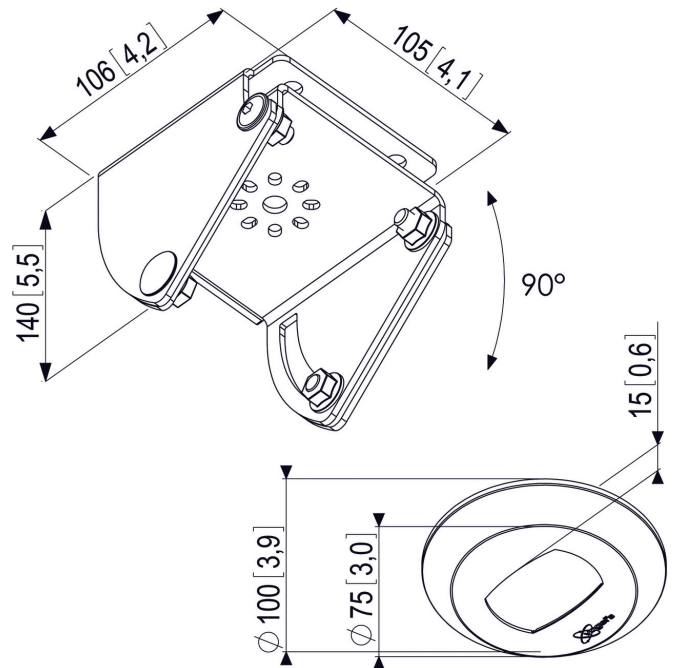
---

- Max. weight: 30 kg / 66 lbs
- Guarantee: 5 years
- Available colours: Silver

The PUC 1030 ceiling plate is a part of the modular Connect-it system with which you can create your own ceiling solution for small- to medium-sized displays.



## Ceiling plate PUC 1030



This ceiling plate is suitable for flat and inclined ceilings (up to 90°). Combine this ceiling plate with one of the poles from the Connect-it Series (PUC 2108, PUC 2115, PUC 2130, PUC 2308, PUC 2315 or PUC 2330) and a Connect-it interface (PFI 3010, PFI 3020, PFI 3030 or PFI 3040) for a complete ceiling solution.

## Features

- Ceiling plate suitable for inclined and flat ceilings
- Quick and easy installation
- Max load: (2x) 30 kg
- Inclined ceilings up to 90°

## Logistic information

- Packaging size: 160x262x149 mm
- Max. weight: 2 kg / 4 lbs
- EAN Code: 8712285317088