



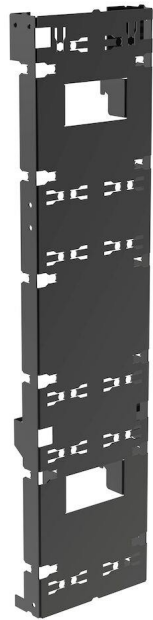
For Sure

# Introduction: dvLED solution for Philips 7000 Series

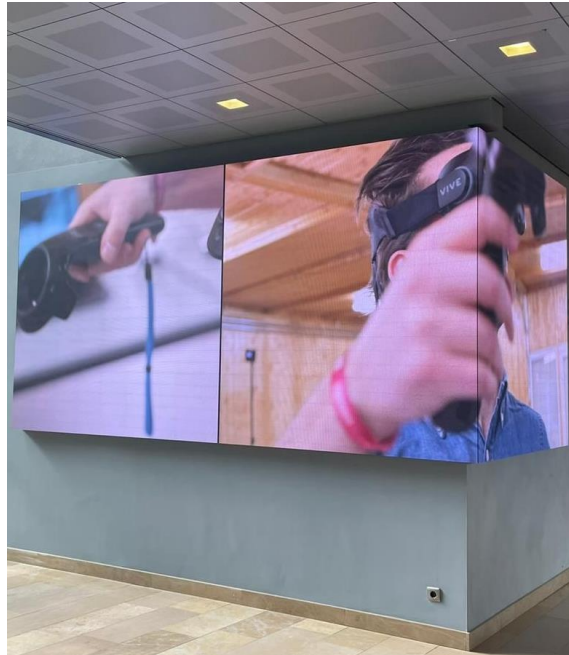


# Introduction: Solution for Philips 7000 series

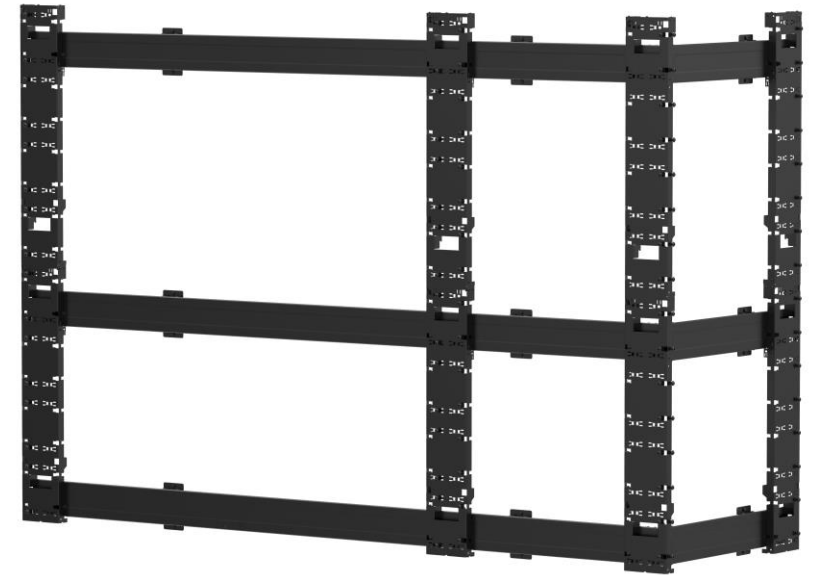
- Introduction and product specifications



- Features / applications



- Calculation examples



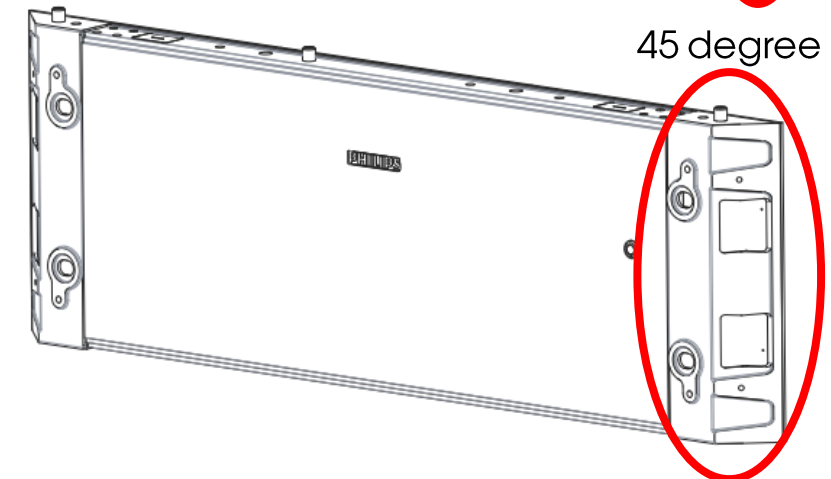
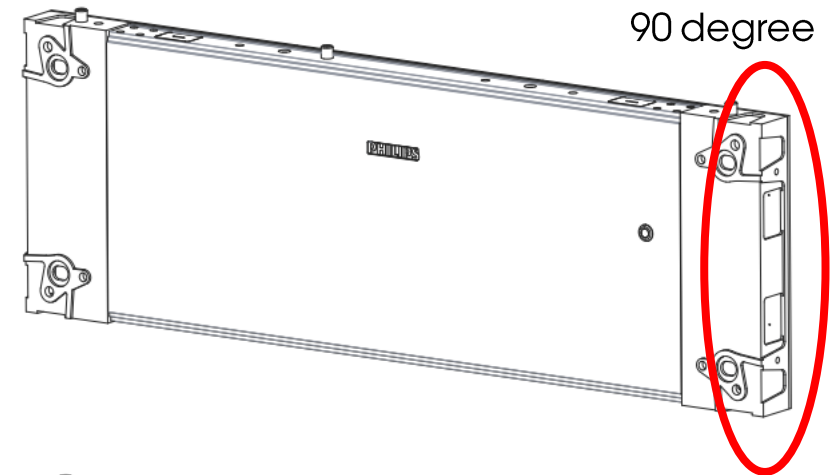
# Introduction

- Philips 7000 series is mainly developed for the retail market
- Pixelpitches: 1,9mm / 2,4mm / 3,1mm
- Introduction 1 pixelpitch cabinet 2021 (3,1mm pixel pitch)
- Introduction high brightness cabinets officially at ISE 2022
  
- No standard 16:9 configurations
- Cabinets are not suitable for our LED 2.0 system

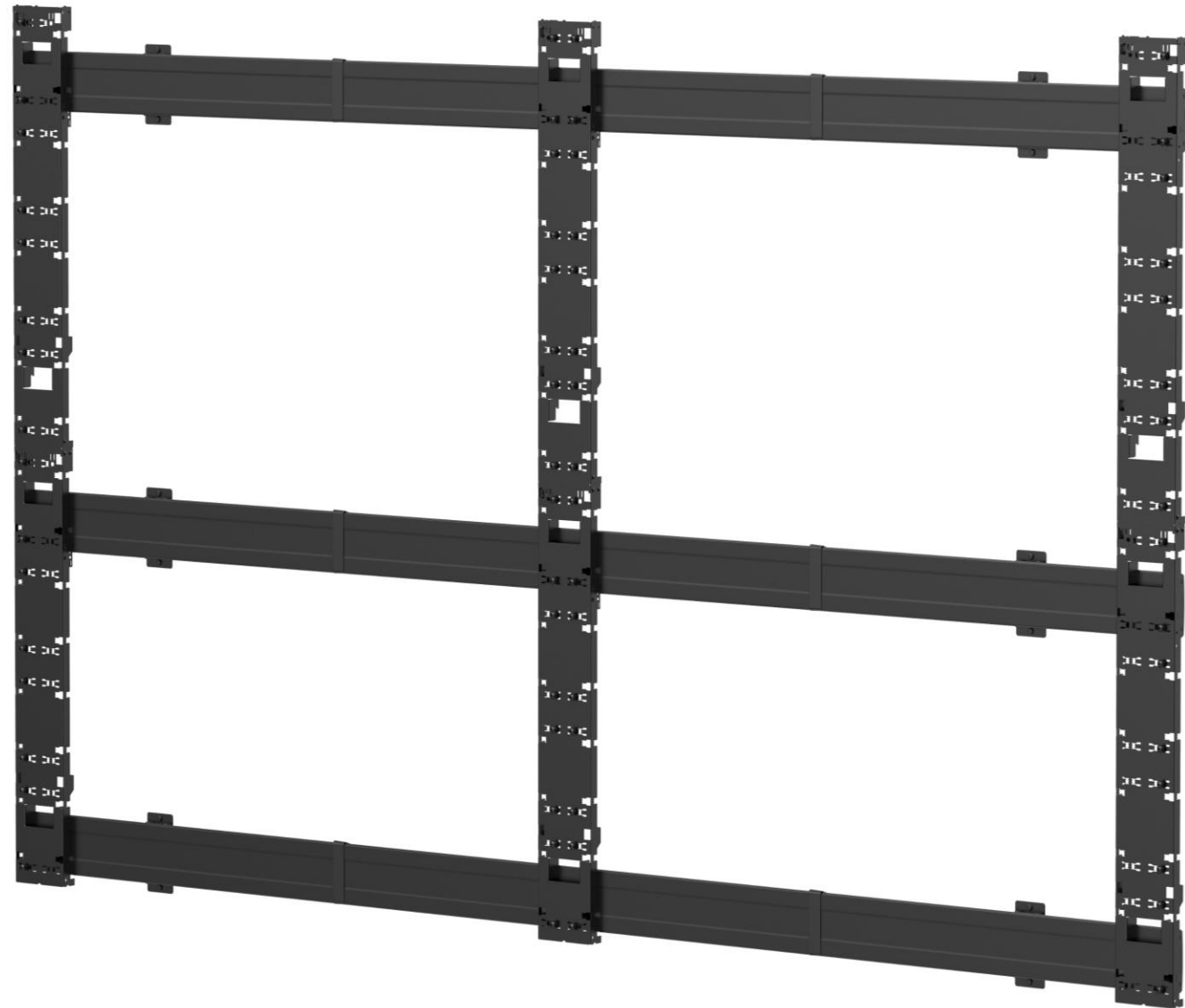


# Specifications

- 6 different dvLED cabinets
  - 22BDL72xx (50cm wide, 25cm high, 90 degree side, 3,4 kg)
  - 22BDL73xx (50cm wide, 25cm high, 45 degree side, 3,3 kg)
  - 31BDL72xx (75cm wide, 25cm high, 90 degree side, 4,8 kg)
  - 31BDL73xx (75cm wide, 25cm high, 45 degree side, 4,7kg)
  - 41BDL72xx (100cm wide, 25cm high, 90 degree side, 6,0 kg)
  - 41BDL73xx (100cm wide, 25cm high, 45 degree side 5,9 kg)
- (xx = pixel pitch)



# Products and specifications



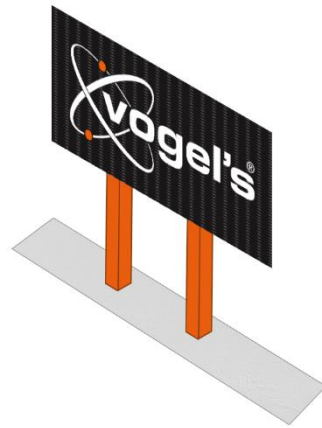
# Mounting solutions



Wall flat



Free standing



Floor



Floor to ceiling



Ceiling



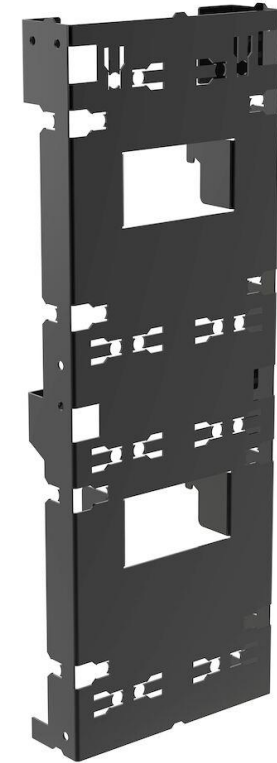
Ceiling to wall



Floor to wall

## Specifications: PLI 8701H2

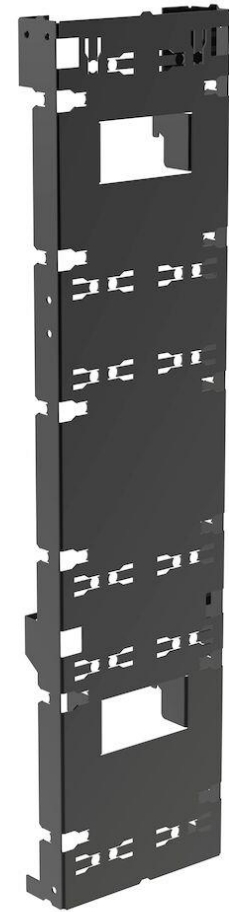
- Article number: 7287010
- dvLED mounting bracket for 2 cabinets above each other.
- Can be mounted onto PFB 34xx or directly to the wall
- Max weight load: 25kg
- TUV 5 certified
- Color: black
- Depth
  - Connect-It mounting: 109,75mm (including PFB 34xx, bracket and cabinet)
  - Direct wall mounting: 93,5mm (including, bracket and cabinet)





## Specifications: PLI 8702H3

- Article number: 7287020
- dvLED mounting bracket for 3 cabinets above each other.
- Can be mounted onto PFB 34xx or directly to the wall
- Max weight load: 37,5kg
- TUV 5 certified
- Color: black
- Depth
  - Connect-It mounting: 109,75mm (including PFB 34xx, bracket and cabinet)
  - Direct wall mounting: 93,5mm (including, bracket and cabinet)

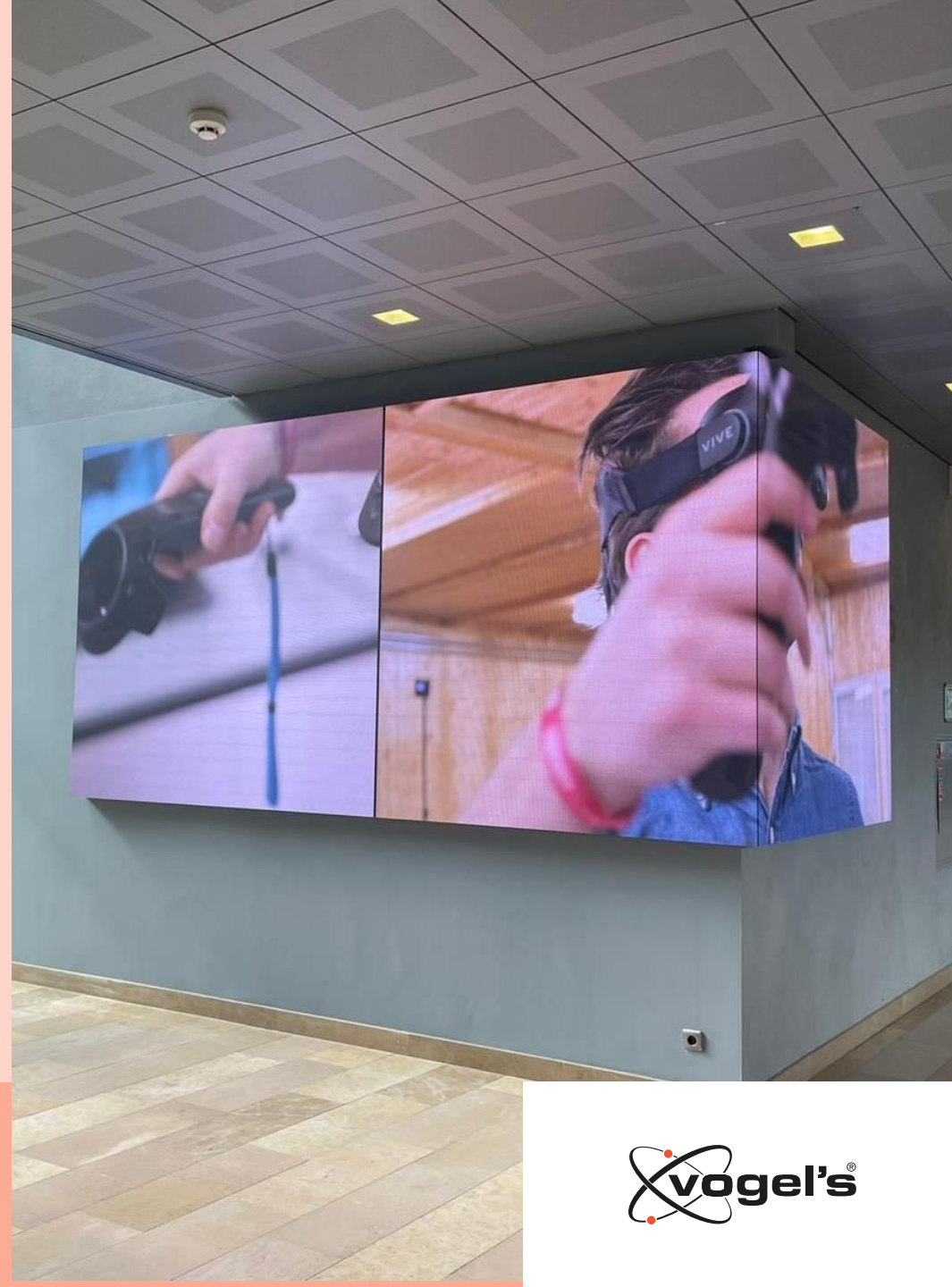


## Specifications: PLI 8703H4

- Article number: 7287030
- dvLED mounting bracket for 3 cabinets above each other.
- Can be mounted onto PFB 34xx or directly to the wall
- Max weight load: 50 kg
- TUV 5 certified
- Color: black
- Depth
  - Connect-It mounting: 109,75mm (including PFB 34xx, bracket and cabinet)
  - Direct wall mounting: 93,5mm (including, bracket and cabinet)



# Features and applications

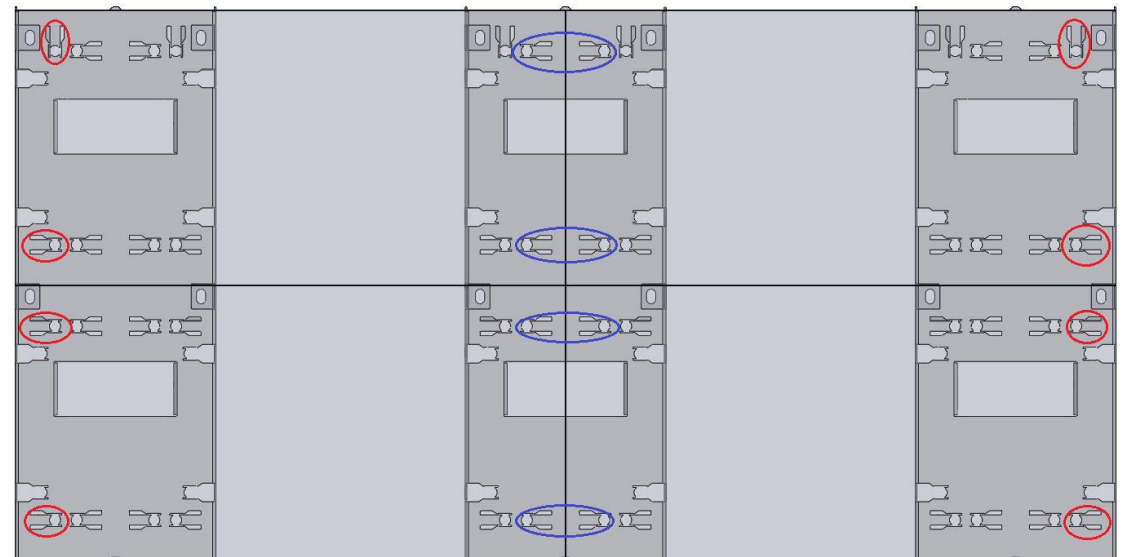


# Features and applications

- The cabinets are mounted by the use of “cage nuts”.  
There are different possibilities to put the cage nut into the bracket depending on which cabinet is mounted.

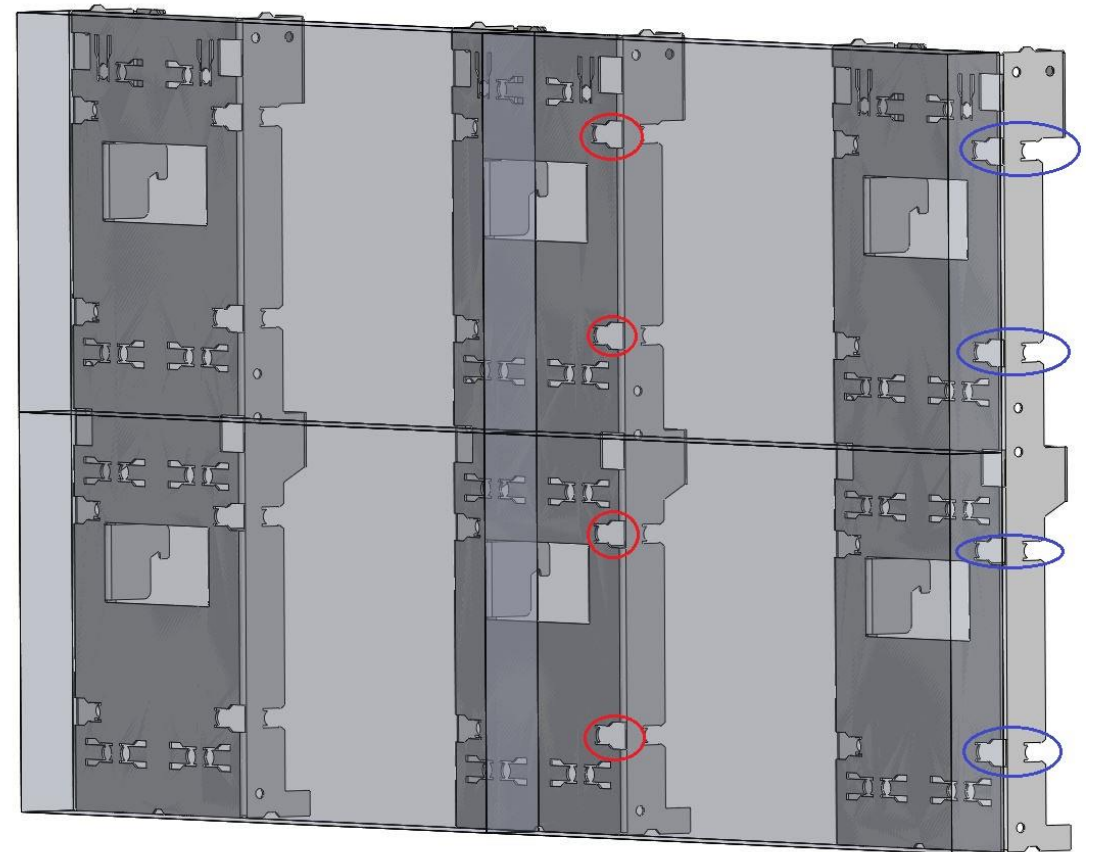


- Mounting the cabinets with 90 degree sides (xxBDL72xx series)
  - Red: Used on the left and right side of the video wall
  - Blue: Used in the middle parts of the video wall



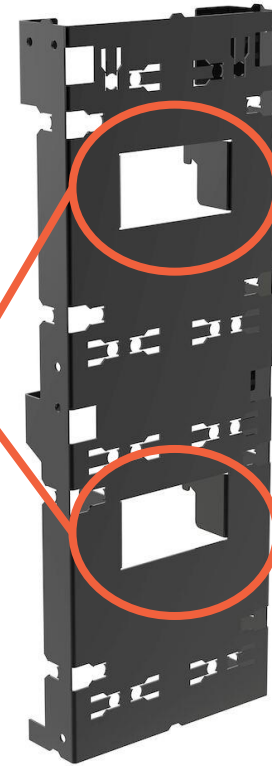
# Features and applications

- Mounting the cabinets 45 degree side cabinets (xxBDL73xx series):
  - Red: Used when a 45 degree side cabinet is coupled with a 90 degree side cabinet
  - Blue: Used when L-shape is created



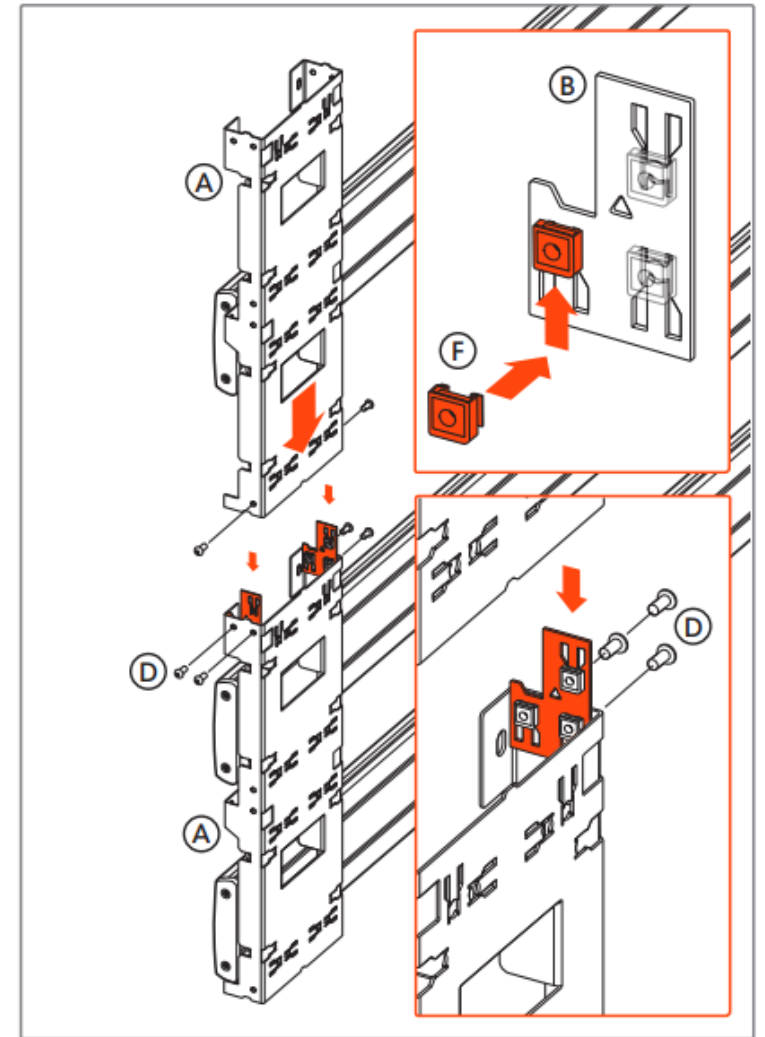
# Cablemanagement

- Cablemanagement for each cabinet



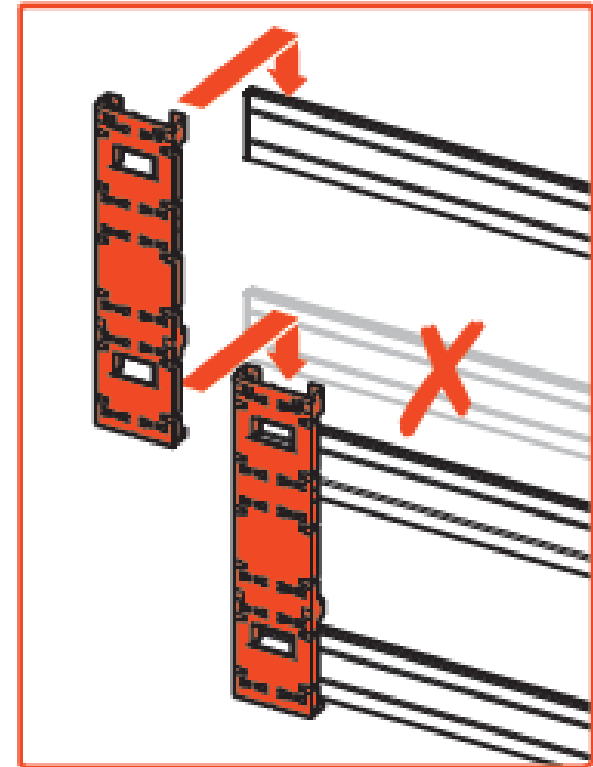
# Features and applications

The PLI 8701H2, 8702H3 and PLI 8703H4 can be coupled to create any desired height.



# Features and applications

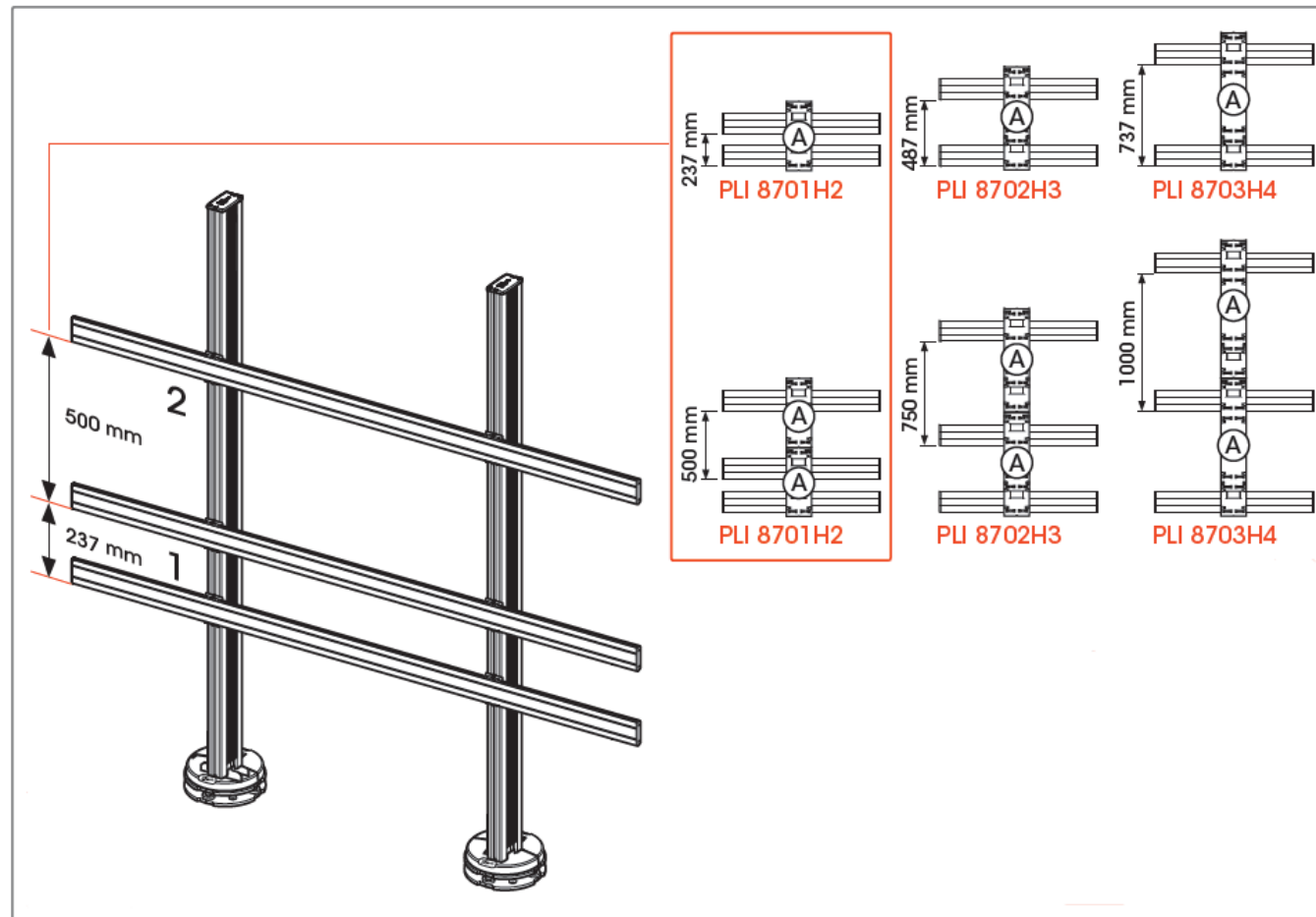
- Bottom row of brackets always need to be mounted onto 2x PFB 34xx
- For each bracket above there is only 1 PFB 34xx bar required





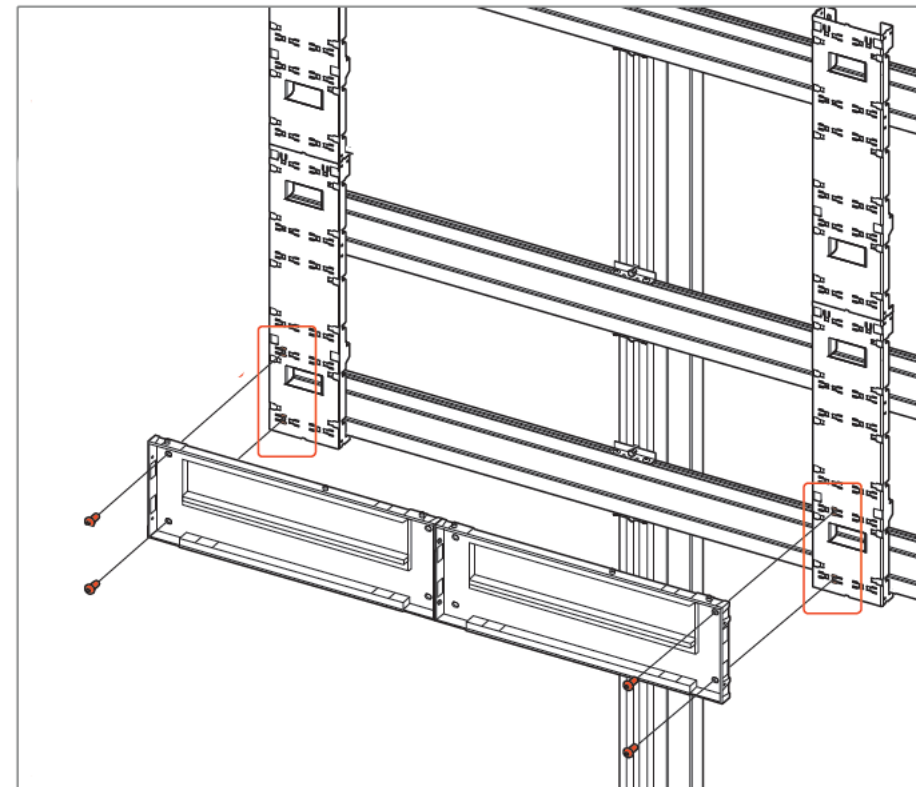
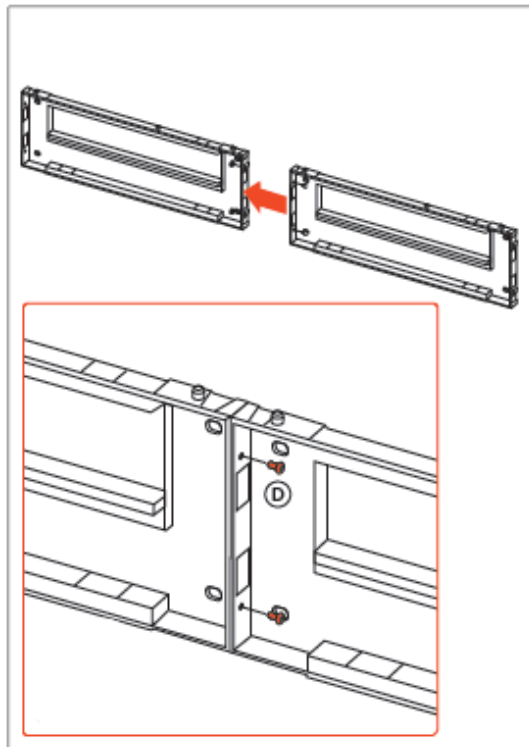
# Features and applications

- The height between the PFB 34xx bars when the PLI brackets are coupled is shown in the picture below.



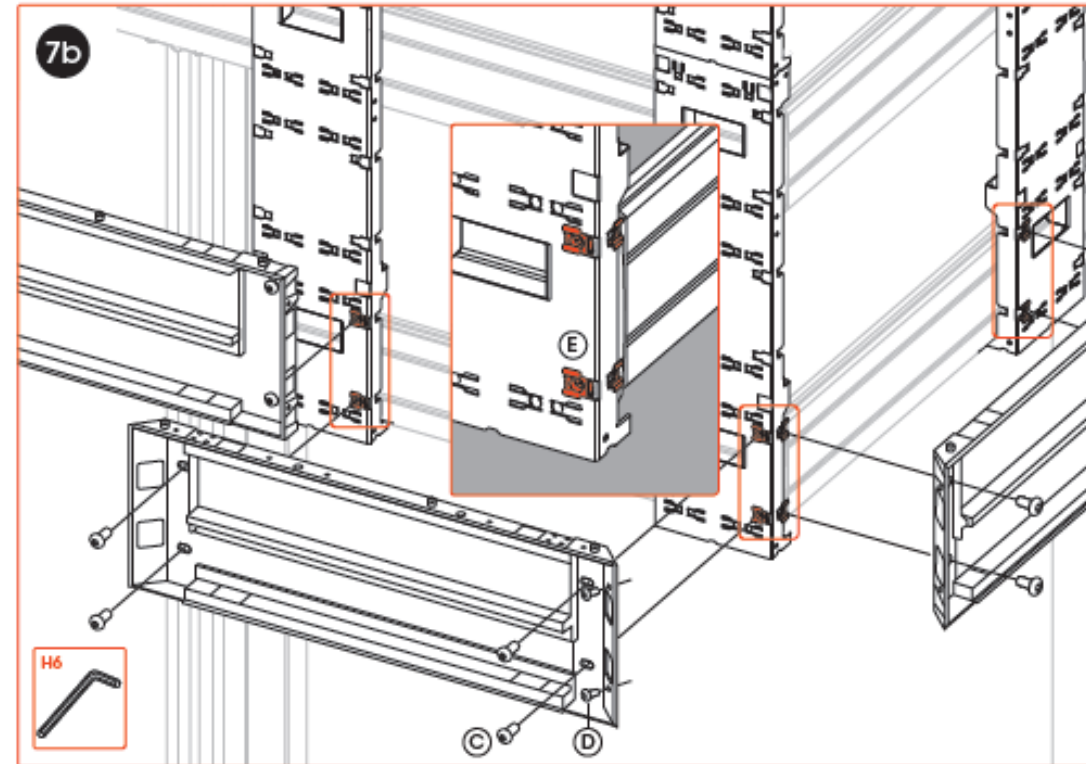
# Features and applications

- When installing a straight video wall, it is possible to couple 2 cabinets together (screws are provided).
- There are less brackets required for each video wall and it will speed up the installation.



# Features and applications

Only 1 bracket is required to create a 90 degree angle

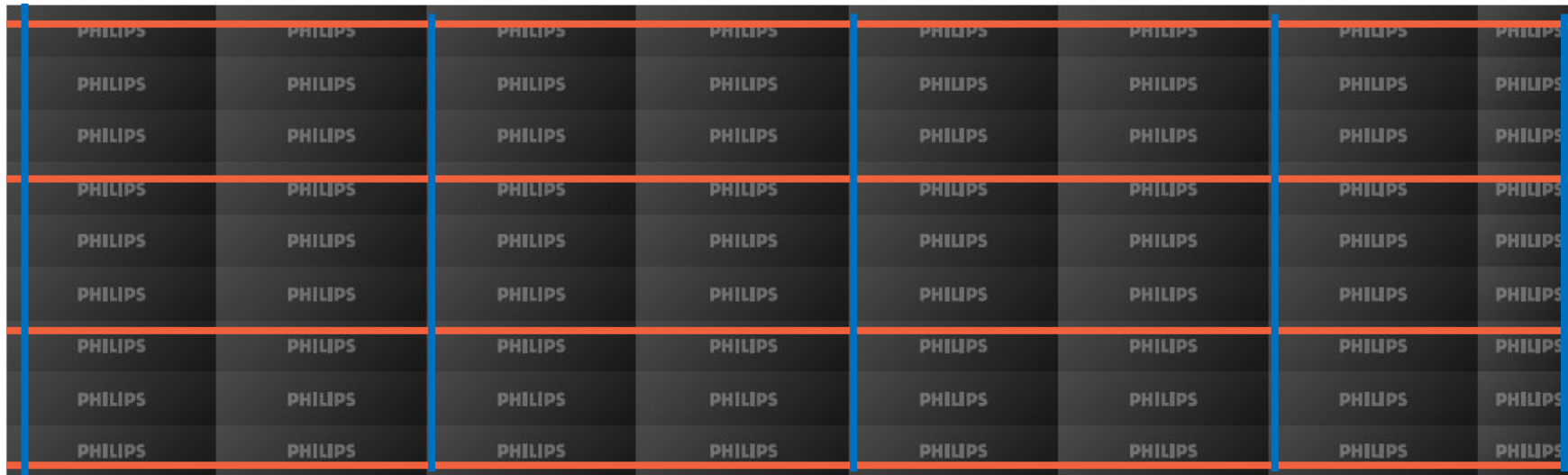


# Calculation examples



# Calculation example

Configuration: 8 wide x 9 high (7,5m x 2,25m)



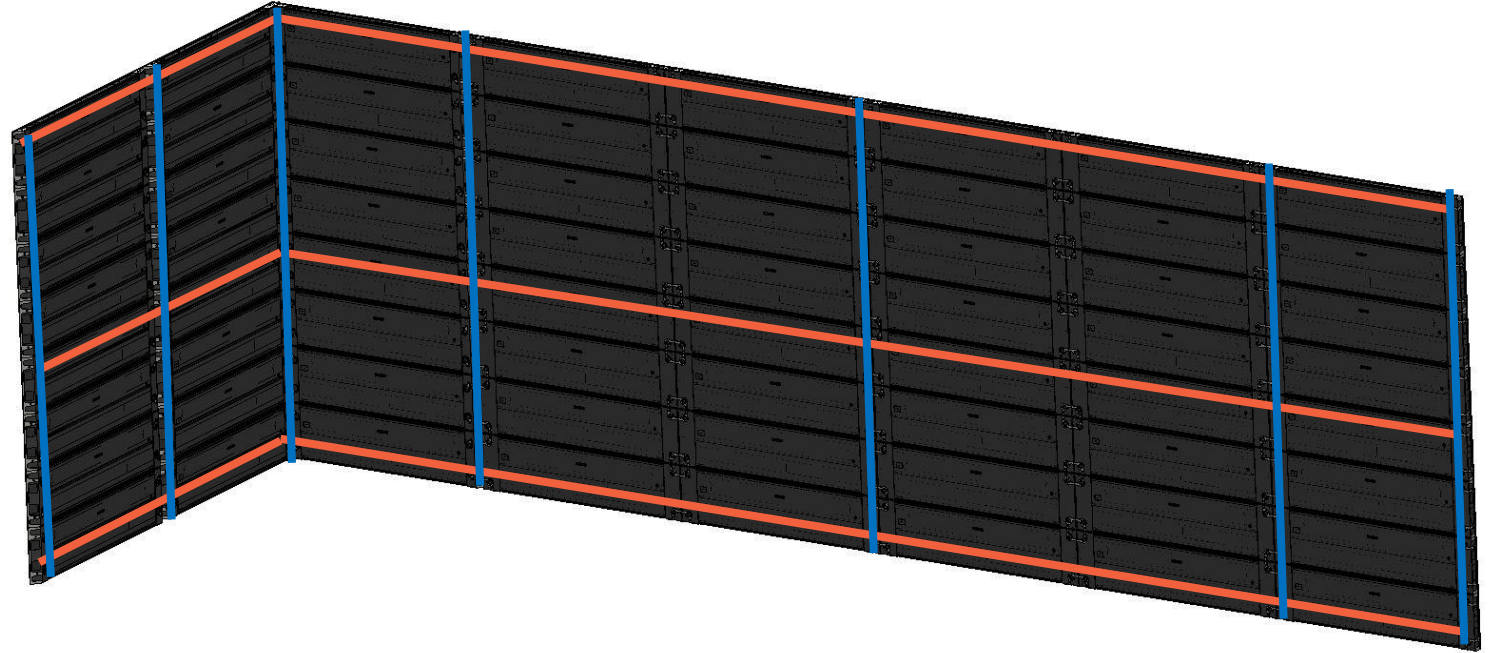
- Required products:
  - 8x PFB 3433 + 4x PFB 3409 + 4x PFA 9104 ———
  - 15x PLI 8702H3 ———

# Calculation example – L shape

## Configuration:

2 wide x 8 high (2m x 2m)

6 wide x 8 high (6m x 2m)



## Required Products:

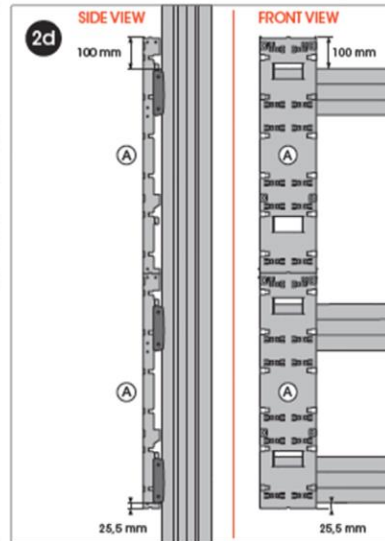
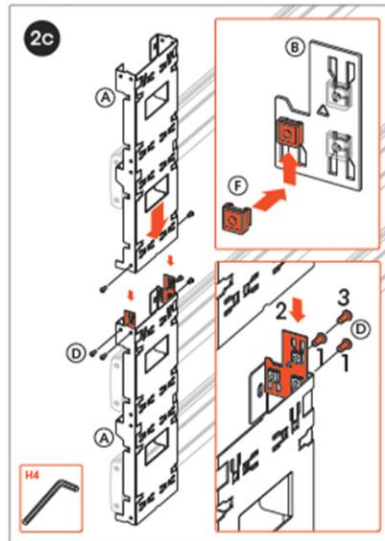
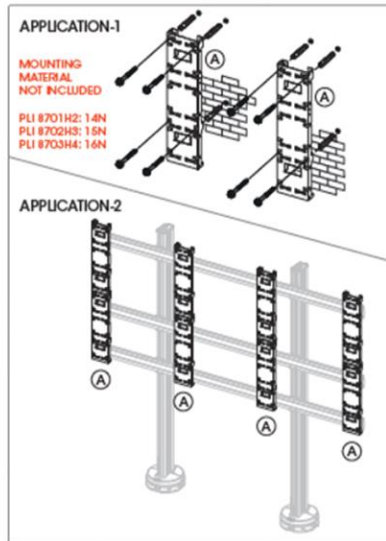
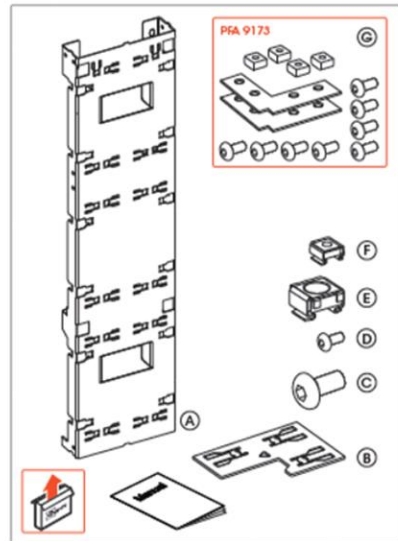
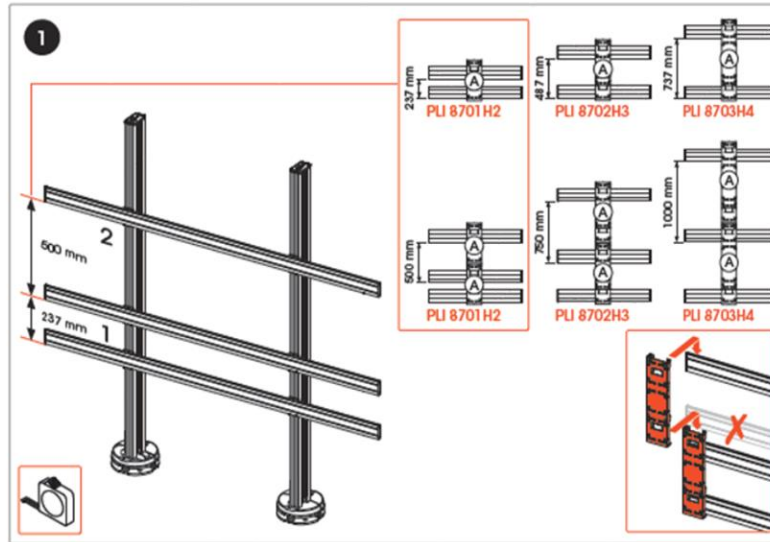
- 3x PFB 3419 / 3x PFB 3433 + 3x PFB 3427 + 3x PFA 9104 ———
- 14x PLI 8703H4 ———

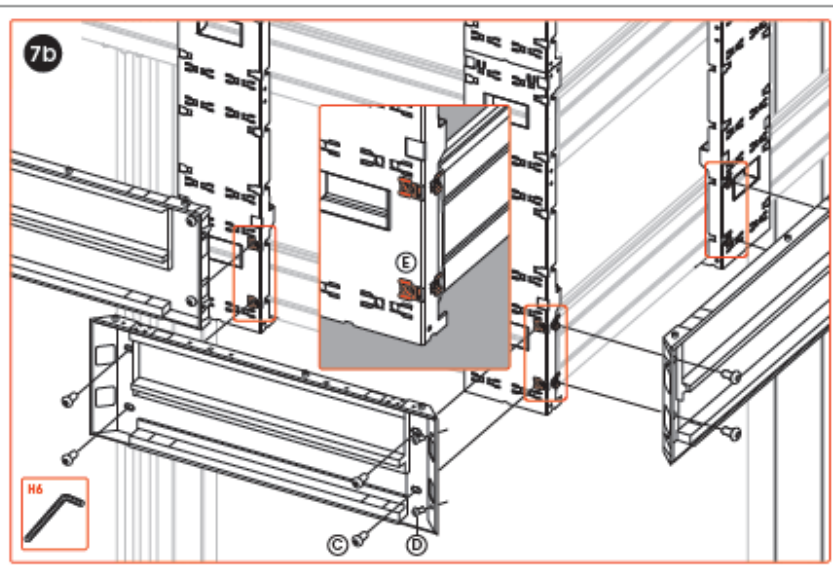
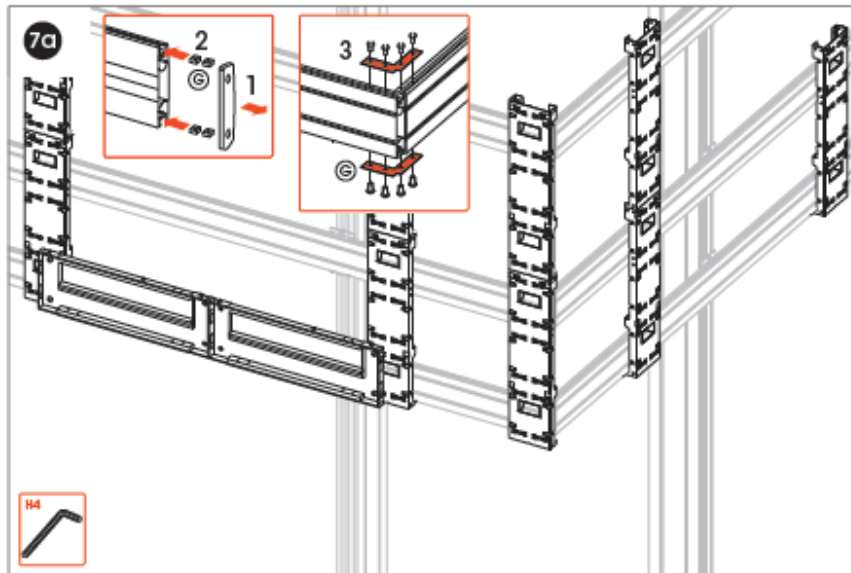
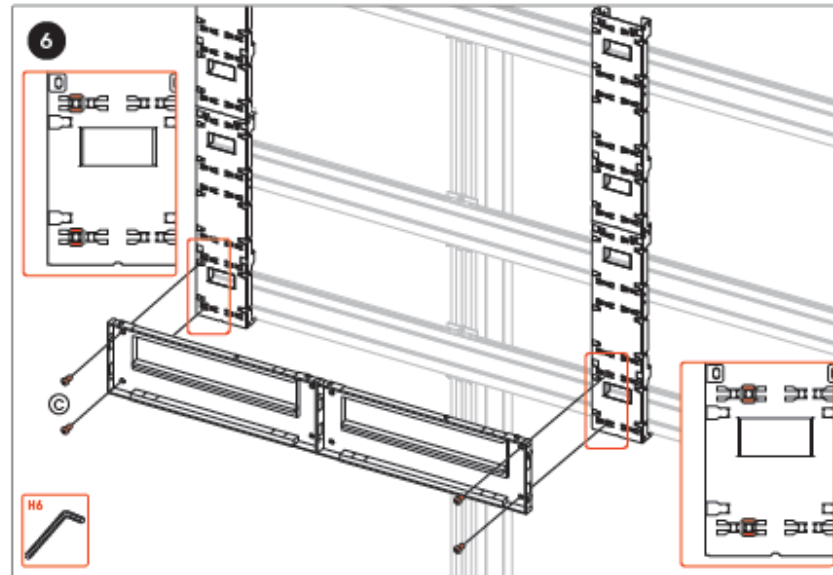
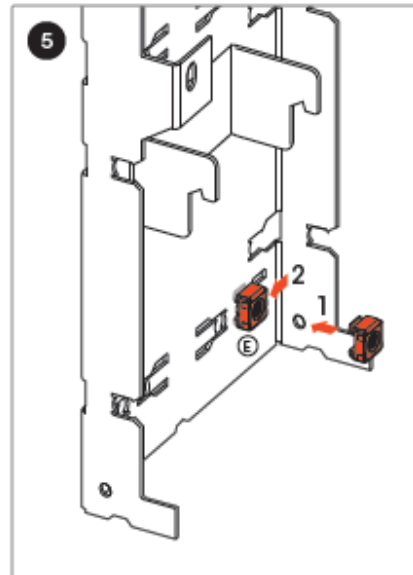
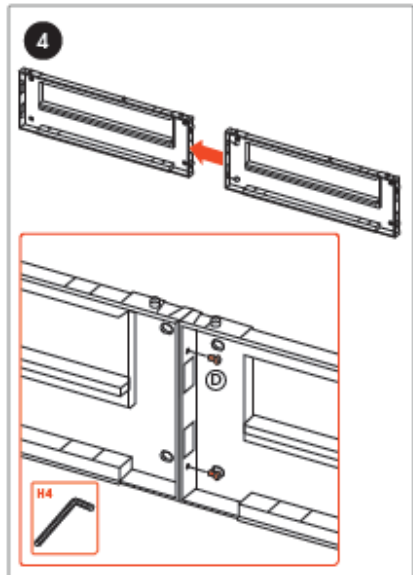


## PLI 8701H2 PLI 8702H3 PLI 8703H4



EN Mounting Instructions	IT Istruzioni di montaggio	RU Инструкция по сборке и установке	RO Instrucțiunile de montaj
DE Montageanleitung	PT Manual de montagem	CZE Návod k montáži	UK Вказівки по монтажу
FR Consignes d'installation	EL Οδηγίες συναρμολόγησης	SK Návod na montáž	BG Инструкции за монтаж
NL Montagevoorschrift	SV Montageföreskrifter	HU Szerelési útmutató	JA 設置の説明書
ES Instrucciones de montaje	PL Instrukcja montażu	TR Montaj kılavuzu	ZH 装配说明







# Logistical data

- Not available yet, You'll receive this information in 2 weeks!

