



This is MOMO®

The Monitor
Mount that works
everywhere





Vogel's MOMO® The Monitor Mount that works everywhere.

Vogel's MOMO makes it easy to attach a monitor to desks, counters and control desks. It can also be mounted directly onto the wall. This stylish and functional Monitor Mount consists of several basic components and accessories. This allows you to assemble it in every possible configuration. Its minimalist design makes the MOMO blend in beautifully

with every room. But at the same time, you can see its beautiful timeless design made from the best and most sustainable materials. Create the perfect solution anywhere with MOMO: configure, click, rotate and install for a beautiful end result.

Vogel's. For Sure.

Flexible system with endless possibilities

MOMO is a flexible, modular system from Vogel's for mounting monitors at any desired height. With just a few components, MOMO offers the best solution for every situation. Thanks to the modular structure of the design, the configuration possibilities are endless. Use MOMO for one, two or a whole series of monitors. Whether it's mounted on a desk, a counter, a control desk or the wall: MOMO fits everywhere.



High-quality materials, long service life

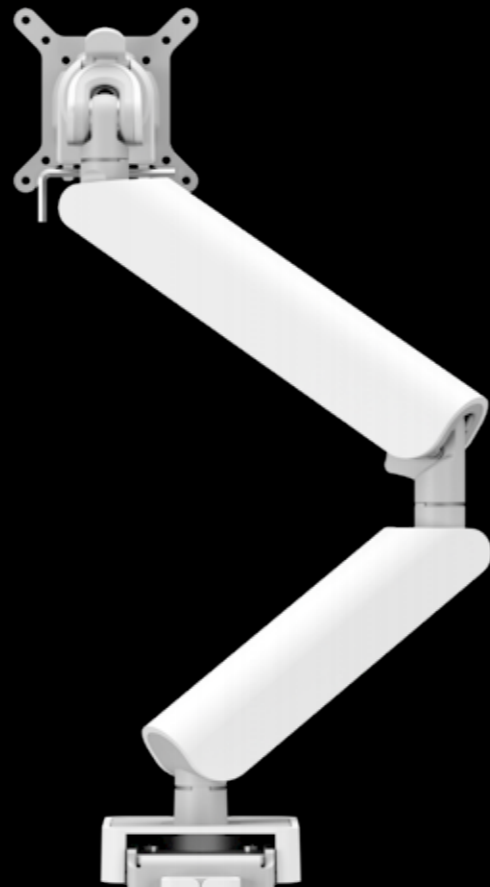
Only the best materials are used for Vogel's MOMO so that the user is assured of a safe solution with a long service life. For example, MOMO has special oil-impregnated layers made from sintered steel. The lifespan of our monitor mounts is therefore unparalleled. Moreover, this not only makes the monitor mounts move very smoothly, but they also have a long service life without loss of quality.

The monitor mounts are even tested for a minimum of 10,000 cycles.

The MOMO family

The MOMO family consists of four groups:

- Accessories
- Motion+
- Motion
- Components



Available colours:



MOMO ACCESSORIES

The modular MOMO system includes numerous accessories to expand your MOMO Monitor Mount. All accessories are designed to be easily and quickly integrated.

MOMO A001



MOMO A003



MOMO A002



MOMO Motion+

MOMO Motion+ Monitor Mounts offer the user maximum flexibility. MOMO Motion+ features One-Finger™ Movement. With this agile spring system, you can move your monitor with just one finger to any desired position and height. This helps to achieve optimal ergonomic comfort.

- One-Finger™ Movement, due to agile spring system
- Suitable for one or more monitors
- Various accessories available
- Suitable for monitors of up to 43 inches and weighing up to 10 kg / 22 lbs



MOMO 4126

MOMO 4136

Wall



Available colours:



MOMO 4127

MOMO 4137

MOMO 4138

MOMO 4237

Desk

MOMO Motion

With the components in the MOMO Motion series, you can configure all kinds of monitor solutions that are fully ergonomically tailored to the user. The turning arm is simple and can be mounted at the desired height without the use of tools. The user can then adjust the distance and viewing angle by smoothly moving the secured monitor to the desired position. All of this ensures optimal ergonomic comfort.

- Easy to mount and adjust in height without tools
- Suitable for one or more monitors
- Various accessories available
- Suitable for monitors of up to 43 inches and weighing up to 20 kg / 44 lbs



Available colours: ○ ●



MOMO 2116

Wall



MOMO 2117



MOMO 2127



MOMO 2137



MOMO 2237

Desk

MOMO Components

The modular MOMO system includes numerous components to create your perfect MOMO monitor mount. All components are designed to be easily and quickly combined to create your unique monitor mount solution. Configure, click, rotate and install for a beautiful end result.



MOMO C101
Wall Mount



MOMO C102
Interface Plate
Wall Mount



MOMO C103
Desk Clamp



MOMO C205
Coupler straight



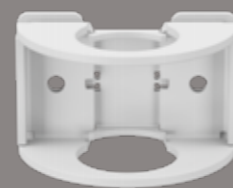
MOMO C104
Base with Pivot



MOMO C140 / C160
Base with Pole



MOMO C201
Base with Pole



MOMO C202
Pole Adapter for
Interface Bar



MOMO C203
Adapter for
Interface Bar



MOMO C204
Coupler curved



MOMO C316
Monitor Arm angled



MOMO C320
Monitor Arm, straight



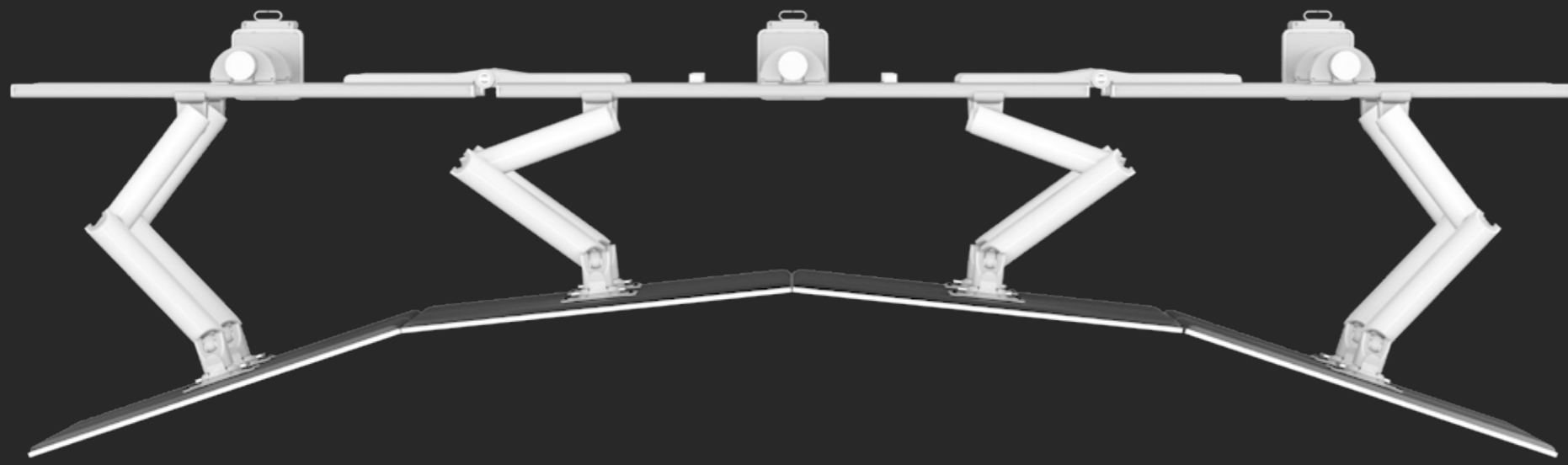
MOMO C327
Monitor-arm, Motion*,
straight



MOMO C4xx
Interface Bar
30 - 120 cm



MOMO C501
Monitor interface



MOMO Monitor walls

Also for configurations with multiple monitors in control rooms, for example, MOMO is the perfect choice. Thanks to the modular system, the possibilities are endless. Mounting on a desktop is possible, but also wall mounting. The monitors can be placed above and next to each other or in an arch. Any desired configuration is possible.





Safety first

MOMO complies with the strictest safety requirements. Each monitor mount is secured with a 180-degree rotation stop to avoid damage to the wall and the monitor, and to prevent cable breakage. Just as you would expect from Vogel's, the MOMO products are TÜV certified.

Desk thickness indicator

The intelligent desk clamp is easy to adjust to the thickness of the desktop.



Integrated tool

The entire system is designed so that you can install it quickly and easily with just a single hexagonal key, which is supplied and neatly attached to the product.

Easy to install

The entire system is designed so that you can install it quickly and easily with just a single hexagonal key, which is supplied and neatly attached to the product.

It is very easy to tidy up your cables.

There is enough room for 4 thick cables. With stainless steel clips to secure them in place.

The desk clamp is easy to adjust to the thickness of the desktop. Thanks to the visual weight indicator, the dynamic monitor mount is easy to adjust. Also, the desk clamp can easily be released from above.

Awkward installation from underneath the desk is no longer necessary. You can attach the desk clamp from the top of the desk. How easy is that?

The monitor with VESA adapter can be mounted on the monitor mount with a single click. With a single click, you can also disconnect the monitor. Handy for maintenance.

Weight indicator

Thanks to the visual weight indicator, the dynamic monitor mount is easy to adjust.





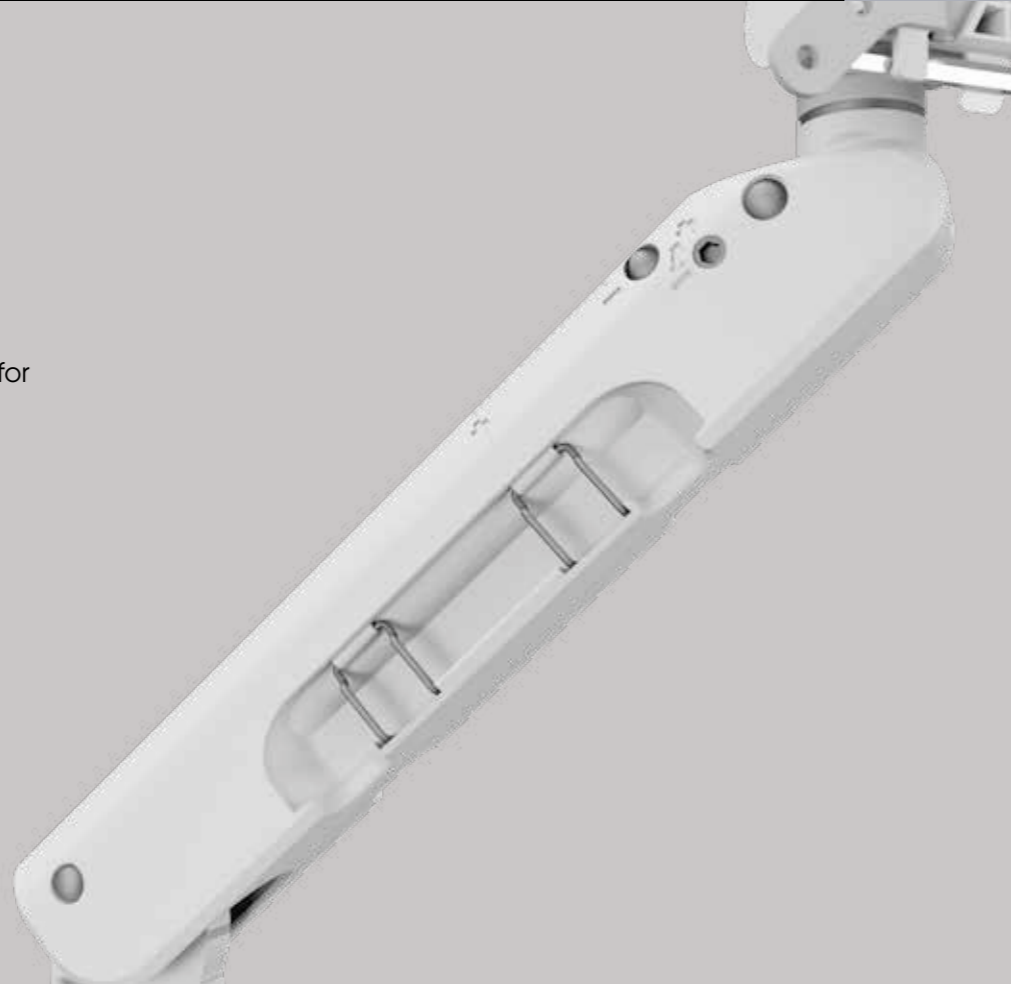
Monitor interface

- VESA 50 x 50 mm
- Integrated tool
- Max. monitor weight: 20 kg
- Mount your monitor on the monitor mount with a single click
- Portrait and landscape position



Cable management

- Cable management system with cable clips for neatly concealing and guiding cables



Monitor mount Motion Plus

- Agile spring system for simple operation
- One-finger Movement
- 180° stop, prevents damage to your monitor



With MOMO, you choose sustainability

Packaging design

Our love for design and sustainability is not only reflected in our products, but also in our packaging. The packaging design minimises the packaging volume, thereby also reducing transport and storage costs to a minimum.

All packaging materials are made from reusable raw materials, so you will not come across any single-use plastic. As a result, the packaging is 100% recyclable. In addition, the packaging waste can be disposed of flat, which keeps the volume down.



Sustainability is an important theme for Vogel's. As a market leader, we consider it our duty to take good care of people and the environment. MOMO Mounts are designed to last. Not only is the design timeless and future-proof, but we have also chosen sustainable, high-quality materials. Materials that have the smallest potential impact on the environment and increase the life span of the monitor mounts.

We apply strict environmental guidelines in the production process, in line with international agreements.

Only the best materials are used for MOMO, so that the user is assured of a safe solution with a long service life. For example, MOMO has special oil-impregnated layers made from sintered steel. The lifespan of our monitor mounts is therefore unparalleled. Moreover, this not only makes the monitor mounts move very smoothly, but they also have a long service life without loss of quality. The monitor mounts are even tested for a minimum of 10,000 cycles. This means that we can provide a guarantee for no less than ten years. As you would expect from Vogel's, the MOMO Monitor Mounts are also TÜV certified.



Why Vogel's?

The best solution

In our Product Development Centre, we develop products that fully meet the wishes of the end user and those of the installer. This is the starting point of any new product development process at Vogel's. What do we add to that? Future-proof design. We want our products to be timeless in terms of their design. So that, even after many years of intensive use, the end user is as happy as ever with it.

The best materials

At Vogel's, we don't compromise on quality. You have to be confident that you have bought a very strong, solid and sustainable product. For us, quality is key in every step of the design process. We only use high-quality materials.

We design and test each part on our own premises. This means that you are completely assured of the best materials.

Service and support

As easy as our solutions are to install, sometimes extra support is needed. In B2B environments, you also encounter complex and large installation challenges. Our engineers and product designers have a great deal of experience and are happy to offer you expert advice.

Trend setting for almost 50 years

As an AV installer, you can rely on Vogel's. For almost 50 years, Vogel's has been developing innovative, reliable and user-friendly mounting solutions for both the consumer and professional markets. Solutions that excel in design, safety and ease of installation. So you never choose just any mounting solution. You choose the certainty of the best solution.

Vogel's. For Sure.



Specifications

MOMO Motion



	Monitor size	Monitor weight	Monitor #	Pivot points	Mounting on	Height adjustment	Max. height center display	Thickness desk	VESA size	Swivel	Rotate	Tilt	Rotation stop
Motion													
MOMO 2116	43	20	1	1	Wall	NA	NA	NA	50x50, 75x75, 100x100	Depends on display size	90 / 90	Depends on display size	Yes
MOMO 2117	43	20	1	1	On / through desk	250 mm	445 mm	66 mm	50x50, 75x75, 100x100	180	90 / 90	- 20 / + 105	Yes
MOMO 2127	43	20	1	2	On / through desk	250 mm	505 mm	66 mm	50x50, 75x75, 100x100	180	90 / 90	- 20 / + 105	Yes
MOMO 2137	43	20	1	3	On / through desk	250 mm	550 mm	66 mm	50x50, 75x75, 100x100	180	90 / 90	- 20 / + 105	Yes
MOMO 2237	Max. width 925 mm	2x10	2	3	On / through desk	250 mm	550 mm	66 mm	50x50, 75x75, 100x100	180	90 / 90	- 20 / + 105	Yes

Specifications

MOMO Motion+



	Monitor size	Monitor weight	Monitor #	Pivot points	Mounting on	Height adjustment	Max. height center display	Thickness desk	VESA size	Swivel	Rotate	Tilt	Rotation stop
MOMO 4126	43	10	1	2	Wall	310 mm	NA	NA	50x50, 75x75, 100x100	180	90 / 90	- 20 / + 105	Yes
MOMO 4136	43	10	1	3	Wall	310 mm	NA	NA	50x50, 75x75, 100x100	180	90 / 90	- 20 / + 105	Yes
MOMO 4138	43	10	1	3	On / through desk	250 + 310 mm	507 mm	66 mm	50x50, 75x75, 100x100	180	90 / 90	- 20 / + 105	Yes
MOMO 4127	43	10	1	2	On / through desk	250 + 310 mm	690 mm	66 mm	50x50, 75x75, 100x100	180	90 / 90	- 20 / + 105	Yes
MOMO 4137	43	10	1	3	On / through desk	250 + 310 mm	746 mm	66 mm	50x50, 75x75, 100x100	180	90 / 90	- 20 / + 105	Yes
MOMO 4237	Max. width 915 mm	2x10	2	3	On / through desk	250 + 310 mm	746 mm	66 mm	50x50, 75x75, 100x100	180	90 / 90	- 20 / + 105	Yes

All MOMO products are TÜV-certified and carry a 10-year warranty



FollowVogel's:



[/VogelsForSure](#)



[/c/VogelsForSure](#)



[/company/vogels](#)



[/VogelsForSure](#)



[/vogels_official](#)

Disclaimer

Although every effort has been made to ensure the accuracy of the information provided, Vogel's cannot be held responsible for any errors. This also applies to errors or omissions regarding prices and dimensions. Not all products are offered in all countries.

Vogel's. For Sure.