



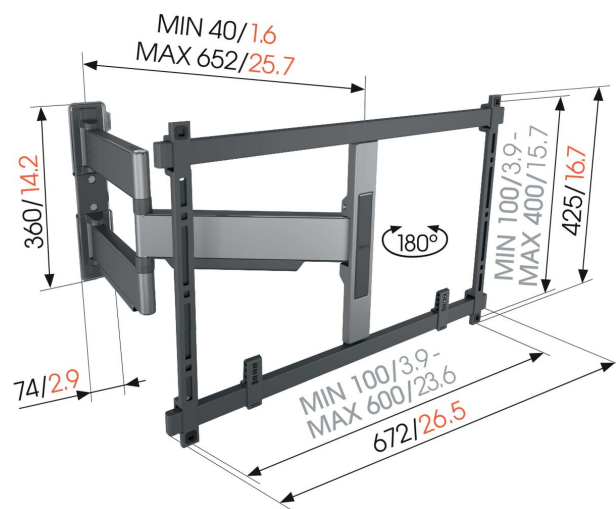
TVM 5645 Full-Motion TV Wall Mount (black)

Key Benefits

- Ultra slim and strong - Only 4 cm from the wall, ideal for large OLED/QLED TVs
- Smooth OneFinger™ Movement - Thanks to coated bearings and precision steel shafts
- Perfectly level installation - Free spirit level included
- 2D-Levelling: Keep your TV always level - Precise after-installation leveling (horizontally and vertically)
- Protective TV patches - Protect the rear of your TV with soft protective patches

Full-motion, ultra-slim TV wall mount for high-end TVs from 40 to 77 inches

The ELITE Full-Motion+ TV wall mount combines minimalistic design with great performance. The wall mount is not only ultra-slim, but also ultra-strong and can be turned up to 180°. In short, the ultimate wall mount for large high-end TVs, such as OLED and QLED TVs. The TV wall mount is suitable for displays from 40 to 77 inches in size and weighing up to 45 kg. In the starting position, your TV is mounted just 4 cm from the wall. Available in the colours White and Platinum Grey.



mm/inch
VESA mounting holes



TVM 5645 Full-Motion TV Wall Mount (black)

Specifications

Article number (SKU)	5856450
Colour	Black
EAN single box	8712285348006
Product size	L
TÜV certified	Yes
Turn	Full motion (up to 180°)
Guarantee	15 years
Min. screen size (inch)	40
Max. screen size (inch)	77
Max. weight load (kg/Lbs)	45 / 99.21
Max. bolt size	M8
Max. height of interface (mm)	425
Max. width of interface (mm)	660
Cable management	Cable fingers for cable management on the back of your TV CIS® Cable Inlay System
Certifications	TÜV
Max. distance to the wall (mm / inch)	652 / 25.67
Max. horizontal hole pattern (mm)	600
Max. vertical hole pattern (mm)	400
Min. distance to the wall (mm / inch)	40 / 1.57
Min. horizontal hole pattern (mm)	100
Min. vertical hole pattern (mm)	100
Number of pivot points	3
Spirit level included	Yes

VOGEL'S HOLDING BV (©)

All rights reserved.
Subject to printing errors,
technical and price
amendments.

Date: 2023-01-26



Vogel's. For Sure.