

PUC 2415 Pole 150 cm silver

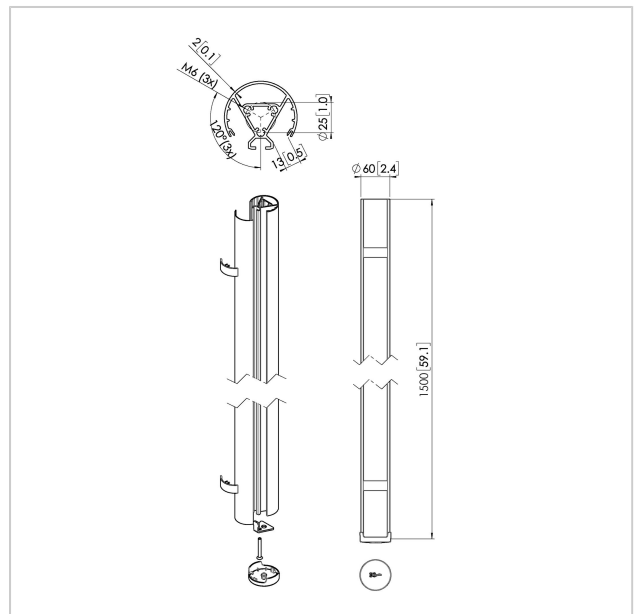
Article number (SKU) 7224154
 Colour Silver

Key Benefits

- Stylish high-end design
- Modular components
- Cable management
- Also suitable for sloped ceilings
- Easy to install

The PUC 2415 is an 150 cm pole and is a part of the modular Connect-it system with which you can create your own ceiling solution for small- to medium-sized displays.

The PUC 2415 is equipped with a double cable duct system with which you can quickly and simply ensure that all cables are concealed. The pole is made of aluminum and, therefore, it can be easily cut at the required length. Therefore, combine a pole with one of the Connect-it ceiling plates and a Connect-it interface for a complete ceiling solution.



PUC 2415 Pole 150 cm silver

www.vogels.com



VOGEL'S HOLDING BV 2019 (c) All rights reserved.
Subject to printing errors, technical and price amendments.
Date:2020-03-25

Specifications

Product type number	PUC 2415
Article number (SKU)	7224154
Colour	Silver
EAN single box	8712285344480
Length	1500
Width	60
TÜV certified	Yes
Guarantee	5 years
Max. weight load (kg)	40
Back-to-back displays	False

