

PUC 1051 Truss adapter PUC 24xx

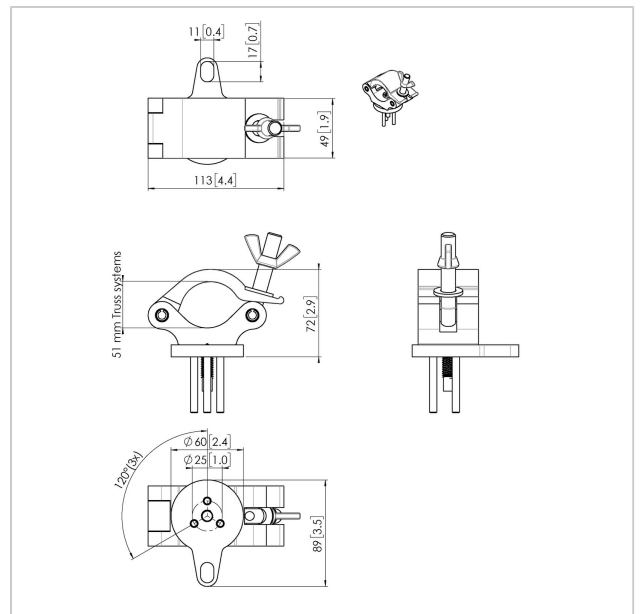
Article number (SKU)
Colour

7210514
Stainless Steel

Key Benefits

- Easy to install
- Solid construction

The PUC 1051 truss adapter is part of the modular Connect-it system with which you can create your own truss solution for small- to medium-sized displays. The PUC 1051 can be combined with the PUC 24xx





PUC 1051 Truss adapter PUC 24xx

www.vogels.com

VOGEL'S HOLDING BV 2019 (c) All rights reserved.
Subject to printing errors, technical and price amendments.
Date:2020-01-22

Specifications

Product type number	PUC 1051
Article number (SKU)	7210514
Colour	Stainless Steel
EAN single box	8712285344404
Height	72
Width	113
Depth	49
TÜV certified	Yes
Guarantee	5 years
Max. weight load (kg)	40
Ceiling plate options	Truss system
Ceiling types	Truss system

